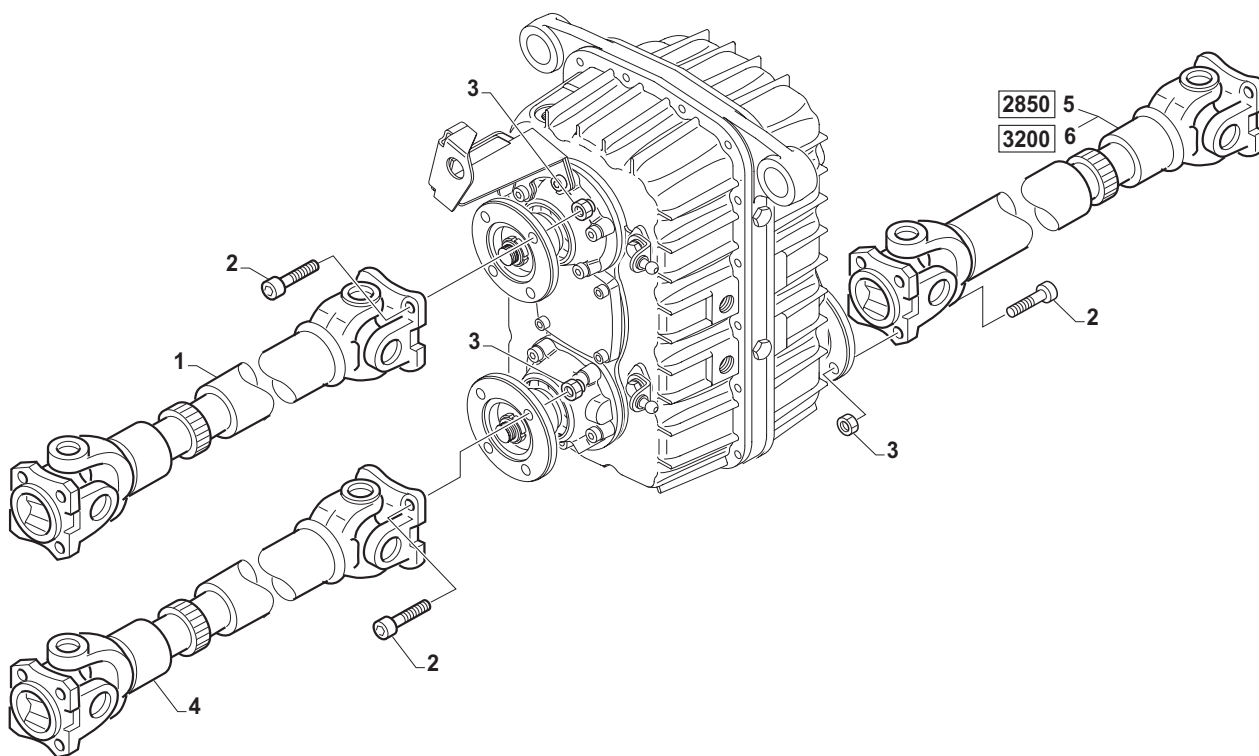




**GRUPPO  
GROUP**

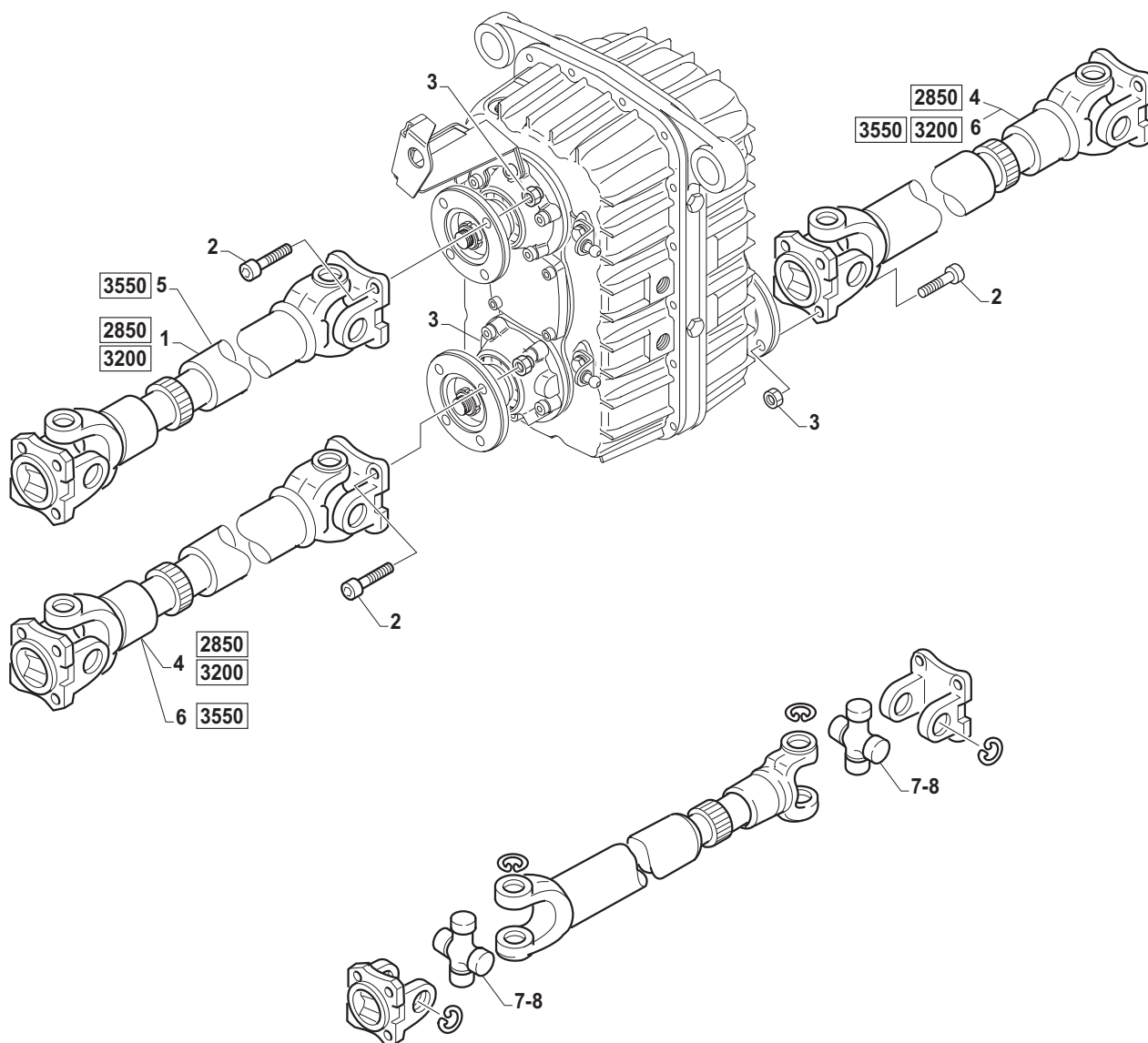
**02**





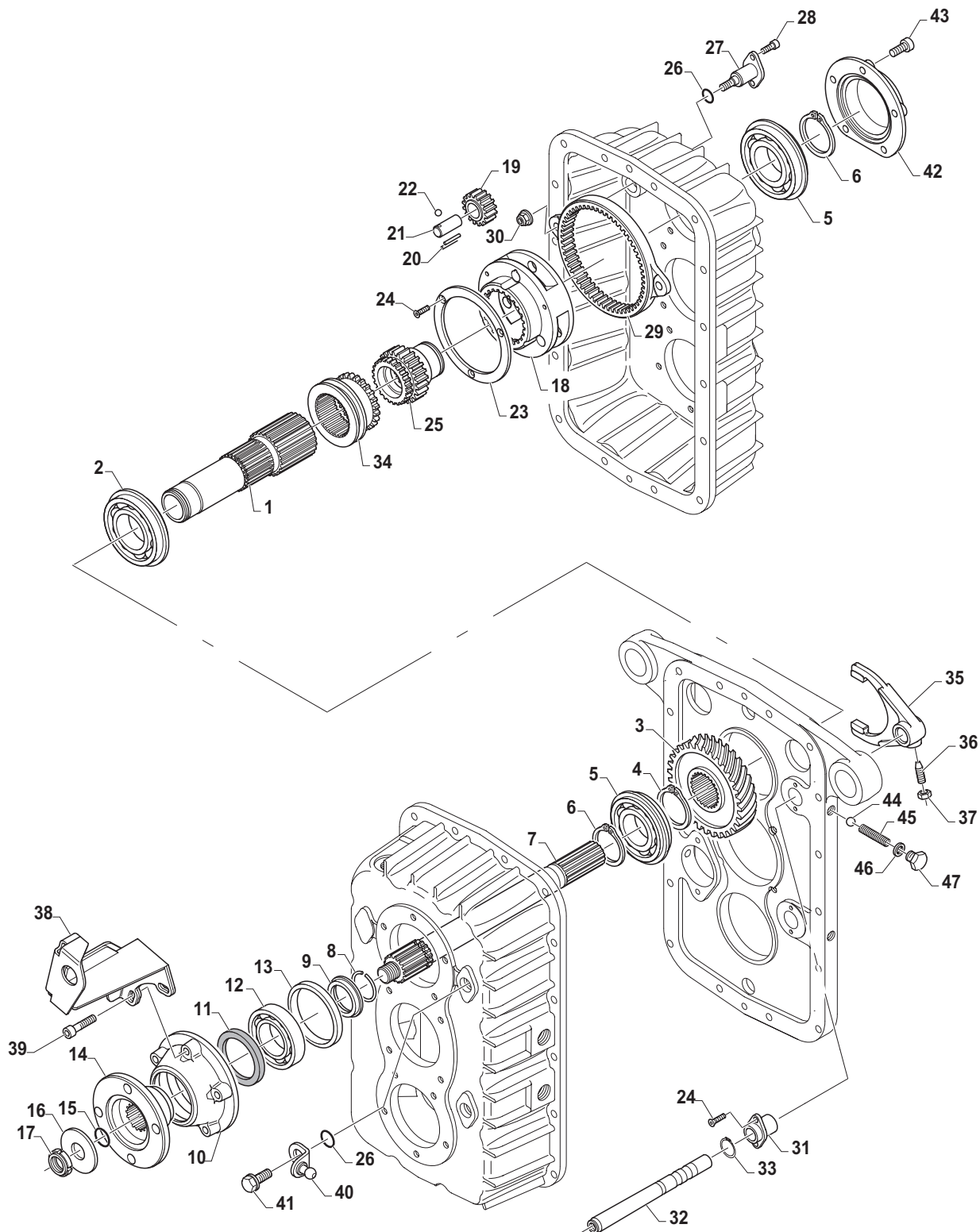
Item	Cod.	Q.tà	Denominazione	Designation	Description	Benennung	Descripción
1	30033002	1	Cardano	Cardan	Driveline	Gelenkwelle	Cardàn
2	40041216	24	Vite	Vis	Screw	Schraube	Tornillo
3	41461200	24	Dado	Ecrou	Nut	Mutter	Tuerca
4	30033003	1	Cardano	Cardan	Driveline	Gelenkwelle	Cardàn
5	30033003	1	Cardano	Cardan	Driveline	Gelenkwelle	Cardàn
6	30033005	1	Cardano	Cardan	Driveline	Gelenkwelle	Cardàn

NOTE:



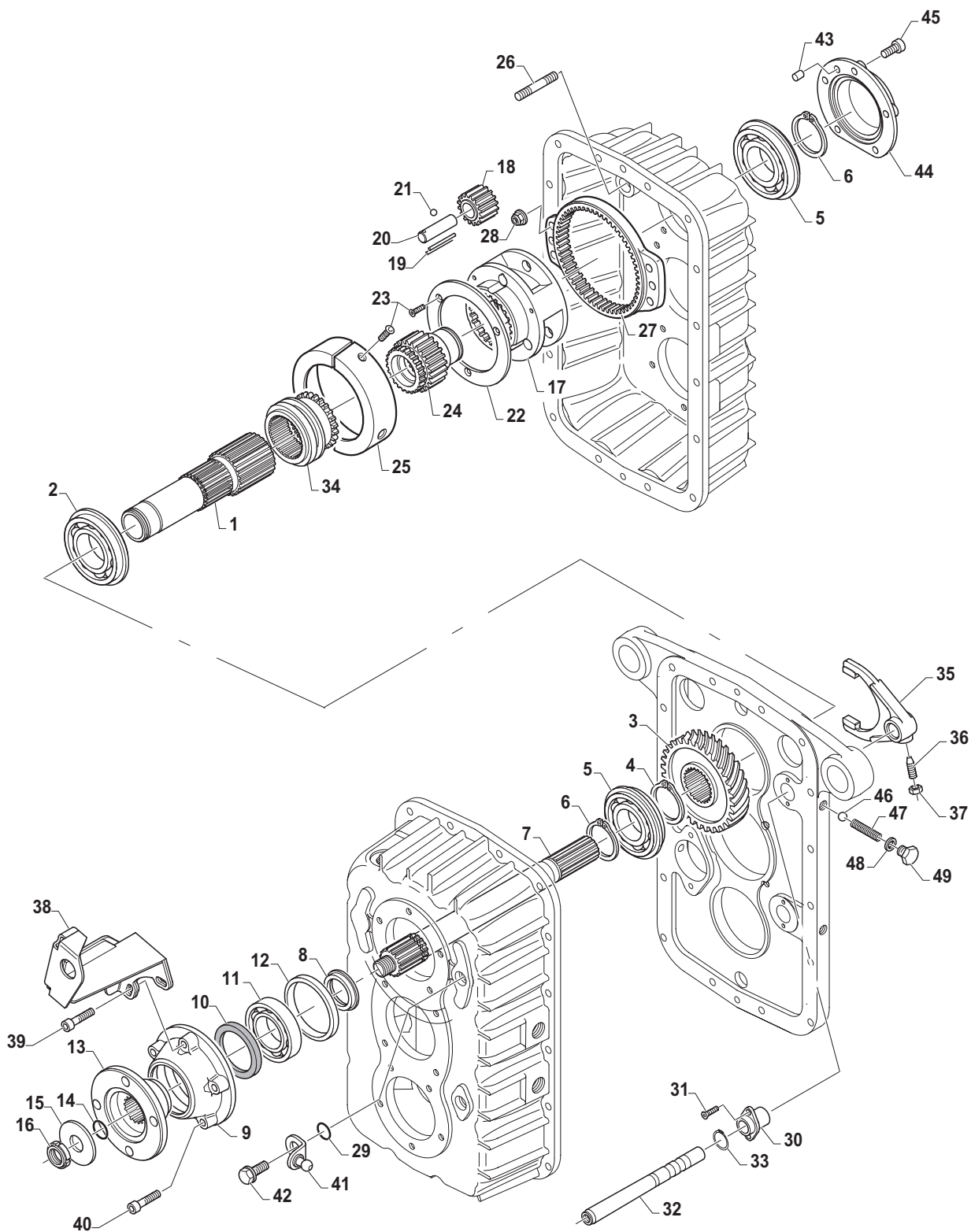
Item	Cod.	Q.tà	Denominazione	Designation	Description	Benennung	Descripción
1	30033002	1	Cardano GKN	Cardan	Driveline	Gelenkwelle	Cardàn
1	30033009	1	Cardano	Cardan	Driveline	Gelenkwelle	Cardàn
2	40041216	24	Vite	Vis	Screw	Schraube	Tornillo
3	41461200	24	Dado	Ecrou	Nut	Mutter	Tuerca
4	30033003	1	Cardano GKN	Cardan	Driveline	Gelenkwelle	Cardàn
4	30033010	1	Cardano	Cardan	Driveline	Gelenkwelle	Cardàn
5	30033012	1	Cardano	Cardan	Driveline	Gelenkwelle	Cardàn
6	30033005	1	Cardano GKN	Cardan	Driveline	Gelenkwelle	Cardàn
6	30033011	1	Cardano	Cardan	Driveline	Gelenkwelle	Cardàn
7	30034003	-	Crociera GKN	Croisillon	Spider	Kreuzstück	Cruceta
8	30034005	-	Crociera GKN	Croisillon	Spider	Kreuzstück	Cruceta

NOTE:



Item	Cod.	Q.tà	Denominazione	Designation	Description	Benennung	Descripción
1	30022006	1	Albero	Axe	Pin	Welle	Arbol
2	43004502	1	Cuscinetto	Roulement	Bearing	Lager	Cojinete
3	30023015	1	Ingranaggio	Pignon	Gear	Zahnrad	Pinon
4	42004200	1	Anello elastico	Segments	Piston ring	Kolbenringe	Aros de embolo
5	43004001	2	Cuscinetto	Roulement	Bearing	Lager	Cojinete
6	42004000	2	Anello elastico	Segments	Piston ring	Kolbenringe	Aros de embolo
7	30022022	1	Albero	Axe	Pin	Welle	Arbol
8	42043500	1	Anello elastico	Segments	Piston ring	Kolbenringe	Aros de embolo
9	30023028	1	Boccola	Douille	Bushing	Buchse	Casquillo
10	30023001	1	Coperchio	Couvercle	Cover	Deckel	Tapa
11	44015200	1	Anello di tenuta	Vite	Seal	Bague D'etancheite	Vis
12	43004501	1	Cuscinetto	Roulement	Bearing	Lager	Cojinete
13	30024000	1	Distanziale	Entretoise	Spacer	Distanzstueck	Separador
14	30022010	1	Flangia	Bride	Flange	Flansch	Brida
15	44520202	1	Anello OR	Belag	O-ring gasket	Garniture	Forro
16	30024002	1	Distanziale	Entretoise	Spacer	Distanzstueck	Separador
17	41802000	1	Ghiera	Ecrou	Ring	Gewinding	Zuncho
18	30022011	1	Porta satellite	Porte-satellite	Spider	Kegelradträger	Soporte satélite
19	30023019	3	Satellite	Satellite	Satellite gears	Kegelrad	Pinon satelite
20	43702500	60	Rullino	Galet	Roller	Rolle	Rodillo
21	30024009	3	Perno	Axe	Pin	Bolzen	Eje
22	43900400	3	Sfera	Bille	Ball	Kugel	Bola
23	30023018	1	Anello	Bague	Ring	Ring	Anillo
24	40060506	5	Vite	Vis	Screw	Schraube	Tornillo
25	30022016	1	Solare	Roue solaire	Sun wheel	Sonnenrad	Rueda dentada
26	44520178	3	Anello OR	Belag	O-ring gasket	Garniture	Forro
27	30024011	2	Perno	Axe	Pin	Bolzen	Eje
28	40040606	4	Vite	Vis	Screw	Schraube	Tornillo
29	30022017	1	Corona	Couronne	Gear	Zahnkranz	Corona
30	41480800	2	Dado	Ecrou	Nut	Mutter	Tuerca
31	30024018	1	Bussola	Douille	Bushing	Gewindebuechse	Casquillo
32	30023016	1	Asta sup.	Tige	Rod	Stange	Varilla
33	42001800	1	Anello elastico	Segments	Piston ring	Kolbenringe	Aros de embolo
34	30023011	1	Manicotto	Manchon	Sleeve	Manschette	Manguito
35	30023010	1	Forcella	Fourchette	Fork	Gabel	Horquilla
36	30024003	1	Grano	Ergot	Dowel	Passtift	Piton
37	41470800	1	Dado	Ecrou	Nut	Mutter	Tuerca
38	30023029	1	Staffa	Etrier	Bracket	Halter	Soporte
39	40040814	5	Vite	Vis	Screw	Schraube	Tornillo
40	30024022	1	Staffa	Etrier	Bracket	Halter	Soporte
41	40081010	1	Vite	Vis	Screw	Schraube	Tornillo
42	30023005	1	Coperchio	Couvercle	Cover	Deckel	Tapa
43	40040810	5	Vite	Vis	Screw	Schraube	Tornillo
44	43900800	1	Sfera	Bille	Ball	Kugel	Bola
45	30024012	1	Molla	Ressort	Spring	Feder	Resorte
46	45081200	1	Guarnizione	Joint	Gasket	Dichtung	Junta
47	45031200	1	Tappo	Bouchon	Plug	Stopfen	Tapon

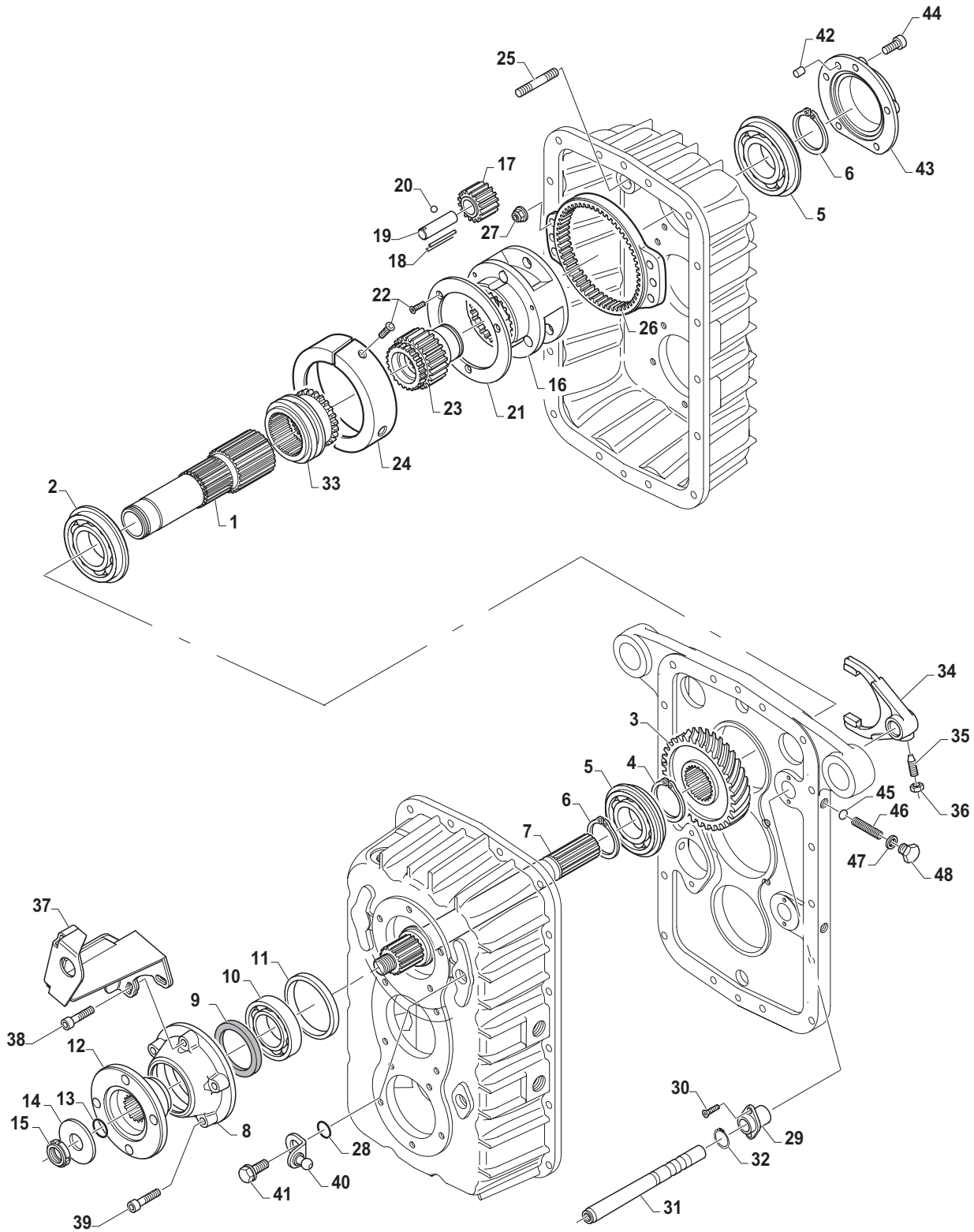
NOTE:





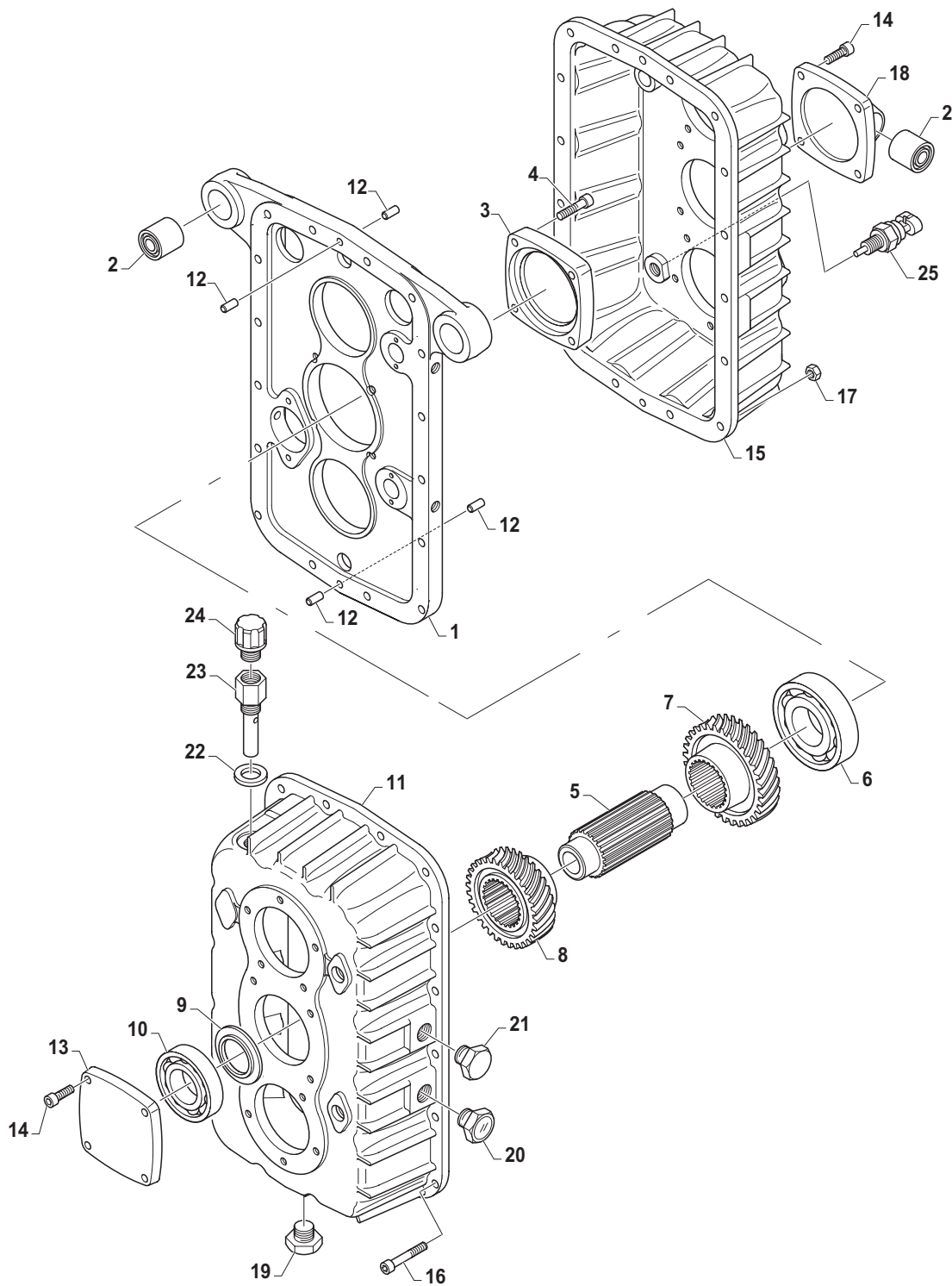
Item	Cod.	Q.tà	Denominazione	Designation	Description	Benennung	Descripción
1	30022006	1	Albero	Axe	Pin	Welle	Arbol
2	43004502	1	Cuscinetto	Roulement	Bearing	Lager	Cojinete
3	30023015	1	Ingranaggio	Pignon	Gear	Zahnrad	Pinon
4	42004200	1	Anello elastico	Segments	Piston ring	Kolbenringe	Aros de embolo
5	43004001	2	Cuscinetto	Roulement	Bearing	Lager	Cojinete
6	42004000	2	Anello elastico	Segments	Piston ring	Kolbenringe	Aros de embolo
7	30022026	1	Albero	Axe	Pin	Welle	Arbol
8	30023032	1	Boccola	Douille	Bushing	Buchse	Casquillo
9	30023001	1	Coperchio	Couvercle	Cover	Deckel	Tapa
10	44015200	1	Anello di tenuta	Vite	Seal	Bague D'etancheite	Vis
11	43004501	1	Cuscinetto	Roulement	Bearing	Lager	Cojinete
12	30024000	1	Distanziale	Entretoise	Spacer	Distanzstueck	Separador
13	30022010	1	Flangia	Bride	Flange	Flansch	Brida
14	44520202	1	Anello OR	Belag	O-ring gasket	Garniture	Forro
15	30024002	1	Distanziale	Entretoise	Spacer	Distanzstueck	Separador
16	41802000	1	Ghiera autofrenante	Ecrou	Ring	Gewinding	Zuncho
17	30022034	1	Porta satellite	Porte-satellite	Spider	Kegelradträger	Soporte satélite
18	30023033	3	Satellite	Satellite	Satellite gears	Kegelrad	Pinon satelite
19	43702501	60	Rullino	Galet	Roller	Rolle	Rodillo
20	30024035	3	Perno	Axe	Pin	Bolzen	Eje
21	43900400	3	Sfera	Bille	Ball	Kugel	Bola
22	30023018	1	Anello di fermo	Bague	Ring	Ring	Anillo
23	40060504	5	Vite	Vis	Screw	Schraube	Tornillo
24	30022032	1	Solare	Roue solaire	Sun wheel	Sonnenrad	Rueda dentada
25	30023031	2	Mezzo anello di fermo	Demi-bague d'arrêt	Retainer half-ring	Halber Anschlagring	Medio aro de bloqueo
26	30024027	6	Prigioniero	Goujon	Stud	Stiftschraube	Esparrago
27	30022030	1	Corona	Couronne	Gear	Zahnkranz	Corona
28	41481000	6	Dado	Ecrou	Nut	Mutter	Tuerca
29	44520178	1	Anello OR	Belag	O-ring gasket	Garniture	Forro
30	30024018	1	Bussola	Douille	Bushing	Gewindebuchse	Casquillo
31	40060506	2	Vite	Vis	Screw	Schraube	Tornillo
32	30023016	1	Asta superiore	Tige	Rod	Stange	Varilla
33	42001800	1	Anello elastico	Segments	Piston ring	Kolbenringe	Aros de embolo
34	30023011	1	Manicotto	Manchon	Sleeve	Manschette	Manguito
35	30023010	1	Forcella	Fourchette	Fork	Gabel	Horquilla
36	30024003	1	Grano	Ergot	Dowel	Passtift	Piton
37	41470800	1	Dado	Ecrou	Nut	Mutter	Tuerca
38	30023029	1	Staffa	Etrier	Bracket	Halter	Soporte
39	40040816	2	Vite	Vis	Screw	Schraube	Tornillo
40	40040814	3	Vite	Vis	Screw	Schraube	Tornillo
41	30024022	1	Staffa	Etrier	Bracket	Halter	Soporte
42	40081010	1	Vite	Vis	Screw	Schraube	Tornillo
43	30024028	1	Bussola	Douille	Bushing	Gewindebuchse	Casquillo
44	30023005	1	Coperchio	Couvercle	Cover	Deckel	Tapa
45	40040810	5	Vite	Vis	Screw	Schraube	Tornillo
46	43900800	1	Sfera	Bille	Ball	Kugel	Bola
47	30024012	1	Molla	Ressort	Spring	Feder	Resorte
48	45081200	1	Guarnizione	Joint	Gasket	Dichtung	Junta
49	45031200	1	Tappo	Bouchon	Plug	Stopfen	Tapon

NOTE:



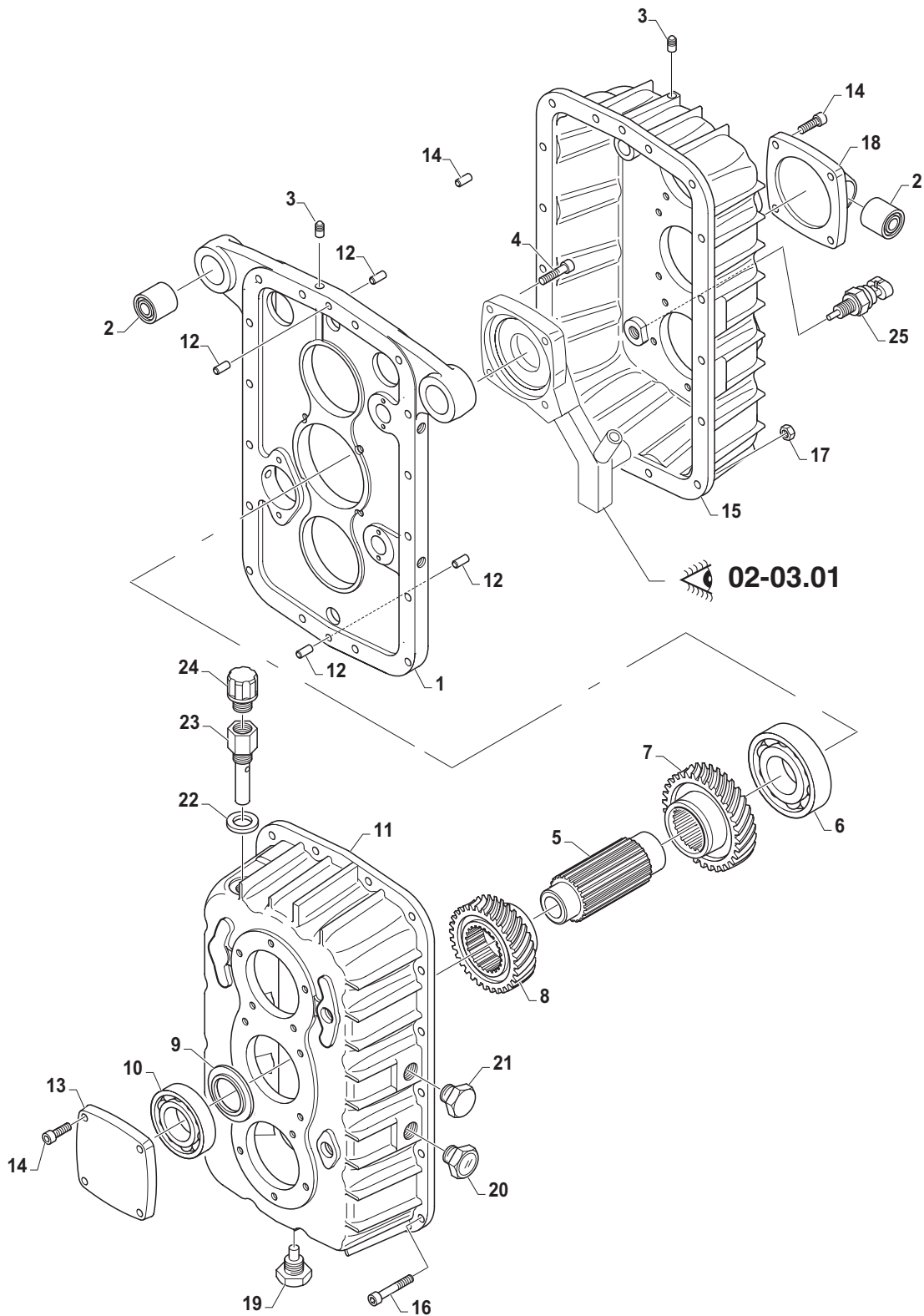
Item	Cod.	Q.tà	Denominazione	Designation	Description	Benennung	Descripción
1	30022006	1	Albero	Axe	Pin	Welle	Arbol
2	43004502	1	Cuscinetto	Roulement	Bearing	Lager	Cojinete
3	30023015	1	Ingranaggio	Pignon	Gear	Zahnrad	Pinon
4	42004200	1	Anello elastico	Segments	Piston ring	Kolbenringe	Aros de embolo
5	43004001	2	Cuscinetto	Roulement	Bearing	Lager	Cojinete
6	42004000	2	Anello elastico	Segments	Piston ring	Kolbenringe	Aros de embolo
7	30023047	1	Albero	Axe	Pin	Welle	Arbol
8	30023001	1	Coperchio	Couvercle	Cover	Deckel	Tapa
9	44025200	1	Anello di tenuta	Vite	Seal	Bague D'etancheite	Vis
10	43004501	1	Cuscinetto	Roulement	Bearing	Lager	Cojinete
11	30024000	1	Distanziale	Entretoise	Spacer	Distanzstueck	Separador
12	30022036	1	Flangia	Bride	Flange	Flansch	Brida
13	44520202	1	Anello OR	Belag	O-ring gasket	Garniture	Forro
14	30024002	1	Distanziale	Entretoise	Spacer	Distanzstueck	Separador
15	41802000	1	Ghiera autofrenante	Ecrou	Ring	Gewinding	Zuncho
16	30022034	1	Porta satellite	Porte-satellite	Spider	Kegelradträger	Soporte satélite
17	30023033	3	Satellite	Satellite	Satellite gears	Kegelrad	Pinon satellite
18	43702501	60	Rullino	Galet	Roller	Rolle	Rodillo
19	30024035	3	Perno	Axe	Pin	Bolzen	Eje
20	43900400	3	Sfera	Bille	Ball	Kugel	Bola
21	30023018	1	Anello di fermo	Bague	Ring	Ring	Anillo
22	40060504	5	Vite	Vis	Screw	Schraube	Tornillo
23	30022032	1	Solare	Roue solaire	Sun wheel	Sonnenrad	Rueda dentada
24	30023031	2	Mezzo anello di fermo	Demi-bague d'arrêt	Retainer half-ring	Halber Anschlagring	Medio aro de bloqueo
25	30024027	6	Prigioniero	Goujon	Stud	Stiftschraube	Esparrago
26	30022030	1	Corona	Couronne	Gear	Zahnkranz	Corona
27	41481000	6	Dado	Ecrou	Nut	Mutter	Tuerca
28	44520178	1	Anello OR	Belag	O-ring gasket	Garniture	Forro
29	30024018	1	Bussola	Douille	Bushing	Gewindebuechse	Casquillo
30	40060506	2	Vite	Vis	Screw	Schraube	Tornillo
31	30023016	1	Asta superiore	Tige	Rod	Stange	Varilla
32	42001800	1	Anello elastico	Segments	Piston ring	Kolbenringe	Aros de embolo
33	30023011	1	Manicotto	Manchon	Sleeve	Manschette	Manguito
34	30023010	1	Forcella	Fourchette	Fork	Gabel	Horquilla
35	30024003	1	Grano	Ergot	Dowel	Passtift	Piton
36	41470800	1	Dado	Ecrou	Nut	Mutter	Tuerca
37	30023029	1	Staffa	Etrier	Bracket	Halter	Soporte
38	40040816	2	Vite	Vis	Screw	Schraube	Tornillo
39	40040814	3	Vite	Vis	Screw	Schraube	Tornillo
40	30024022	1	Staffa	Etrier	Bracket	Halter	Soporte
41	40081010	1	Vite	Vis	Screw	Schraube	Tornillo
42	30024028	1	Bussola	Douille	Bushing	Gewindebuechse	Casquillo
43	30023005	1	Coperchio	Couvercle	Cover	Deckel	Tapa
44	40040810	5	Vite	Vis	Screw	Schraube	Tornillo
45	43900800	1	Sfera	Bille	Ball	Kugel	Bola
46	30024012	1	Molla	Ressort	Spring	Feder	Resorte
47	45081200	1	Guarnizione	Joint	Gasket	Dichtung	Junta
48	45031200	1	Tappo	Bouchon	Plug	Stopfen	Tapon

NOTE:



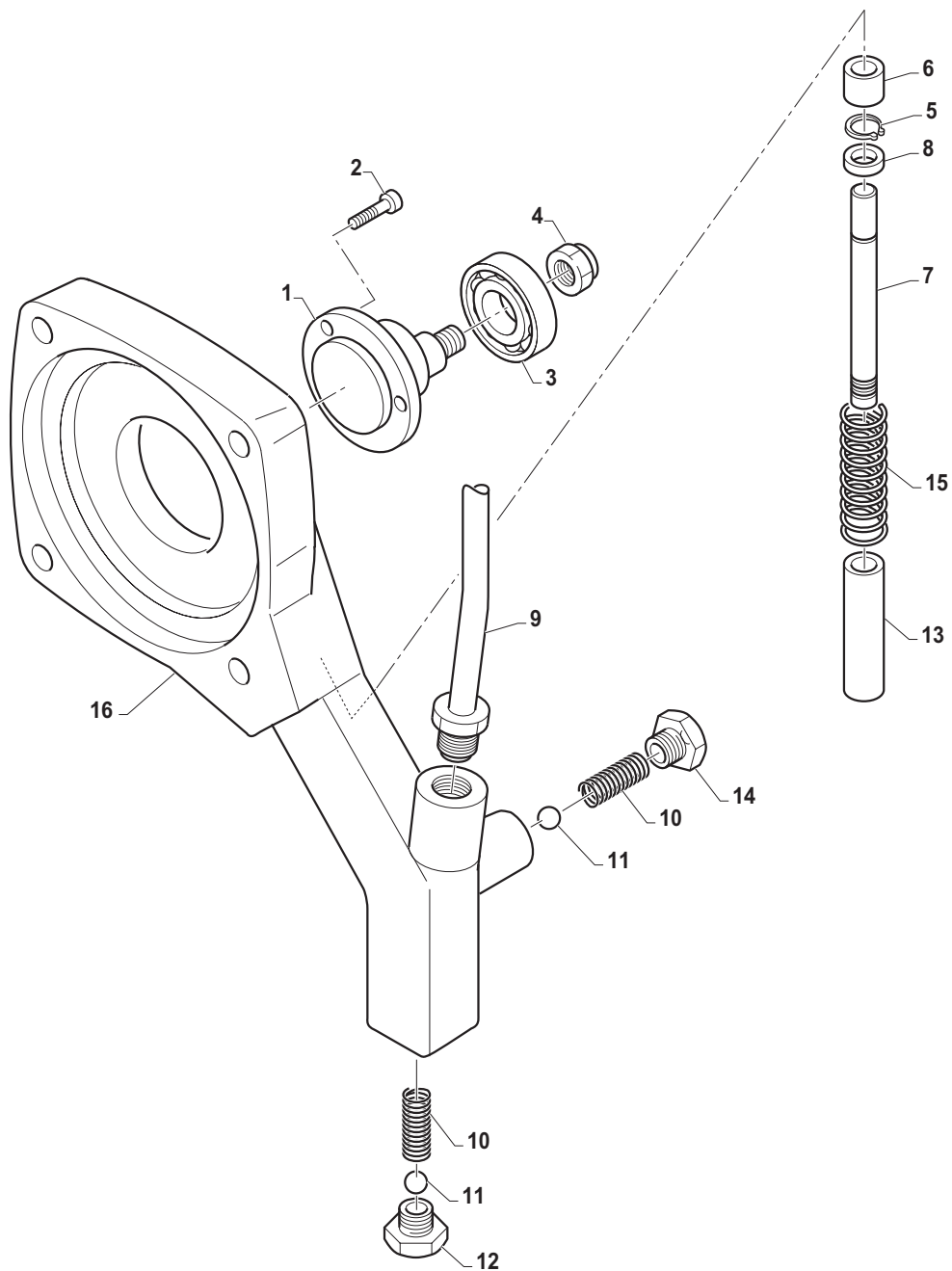
Item	Cod.	Q.tà	Denominazione	Designation	Description	Benennung	Descripción
1	30020001	1	Flangia	Bride	Flange	Flansch	Brida
2	30044012	3	Antivibrante	Antivibrateur	Vibration damp.	Vibrat.daempfer	Antivibrador
3	30023007	1	Coperchio	Couvercle	Cover	Deckel	Tapa
4	40040814	4	Vite	Vis	Screw	Schraube	Tornillo
5	30023022	1	Albero	Axe	Pin	Welle	Arbol
6	43004500	1	Cuscinetto	Roulement	Bearing	Lager	Cojinete
7	30022007	1	Ingranaggio	Pignon	Gear	Zahnrad	Pinon
8	30022008	1	Ingranaggio	Pignon	Gear	Zahnrad	Pinon
9	30024008	1	Distanziale	Entretoise	Spacer	Distanzstueck	Separador
10	43004000	1	Cuscinetto	Roulement	Bearing	Lager	Cojinete
11	30020002	1	Semiscatola anteriore	Demi-carters	Half case	Gehaeusehaelfte	Caja de satellit
12	42300800	4	Spina	Coupille	Pin	Stift	Pasador
13	30023012	1	Coperchio	Couvercle	Cover	Deckel	Tapa
14	40040810	8	Vite	Vis	Screw	Schraube	Tornillo
15	30020003	1	Semiscatola posteriore	Demi-carters	Half case	Gehaeusehaelfte	Caja de satellit
16	40040820	16	Vite	Vis	Screw	Schraube	Tornillo
17	41460800	16	Dado	Ecrou	Nut	Mutter	Tuerca
18	30023004	1	Supporto	Support	Support	Halterung	Soporte
19	45012001	1	Tappo	Bouchon	Plug	Stopfen	Tapon
20	45021400	1	Livello	Niveau	Level gauge	Standanzeige	Nivel
21	45012000	1	Tappo	Bouchon	Plug	Stopfen	Tapon
22	45082000	1	Guarnizione	Joint	Gasket	Dichtung	Junta
23	30024020	1	Raccordo	Raccord	Connection	Stutzen	Racor
24	45002000	1	Sfiato	Event	Breather tube	Entluftung	Respiradero
25	30063059	1	Interruttore	Interrupteur	Switch	Schalter	Interruptor

NOTE:



Item	Cod.	Q.tà	Denominazione	Designation	Description	Benennung	Descripción
1	30020001	1	Flangia	Bride	Flange	Flansch	Brida
2	30044012	3	Antivibrante	Antivibrateur	Vibration damp.	Vibrat.daempfer	Antivibrador
3	45078005	1	Tappo	Bouchon	Plug	Stopfen	Tapon
4	40040810	16	Vite	Vis	Screw	Schraube	Tornillo
5	30023022	1	Albero	Axe	Pin	Welle	Arbol
6	43004500	1	Cuscinetto	Roulement	Bearing	Lager	Cojinete
7	30022007	1	Ingranaggio	Pignon	Gear	Zahnrad	Pinon
8	30022008	1	Ingranaggio	Pignon	Gear	Zahnrad	Pinon
9	30024008	1	Distanziale	Entretoise	Spacer	Distanzstueck	Separador
10	43004000	1	Cuscinetto	Roulement	Bearing	Lager	Cojinete
11	30020002	1	Semiscatola anteriore	Demi-carters	Half case	Gehaeusehaelfte	Caja de satelit
12	42300800	4	Spina	Coupille	Pin	Stift	Pasador
13	30023012	1	Coperchio	Couvercle	Cover	Deckel	Tapa
14	30024028	1	Bussola	Douille	Bushing	Gewindebuechse	Casquillo
15	30020003	1	Semiscatola posteriore	Demi-boîte arrière	Rear half-ring	Hintere Gehäusehälfte	Semicaja trasera
16	40040820	16	Vite	Vis	Screw	Schraube	Tornillo
17	41460800	16	Dado	Ecrou	Nut	Mutter	Tuerca
18	30023004	1	Supporto	Support	Support	Halterung	Soporte
19	45012002	1	Tappo magnetico	Bouchon	Plug	Stopfen	Tapon
20	45021400	1	Livello	Niveau	Level gauge	Standanzeige	Nivel
21	45012000	1	Tappo	Bouchon	Plug	Stopfen	Tapon
22	45082000	1	Guarnizione	Joint	Gasket	Dichtung	Junta
23	30024020	1	Raccordo	Raccord	Connection	Stutzen	Racor
24	45002000	1	Sfiato	Event	Breather tube	Entluftung	Respiradero
25	30063059	1	Interruttore	Interrupteur	Switch	Schalter	Interruptor

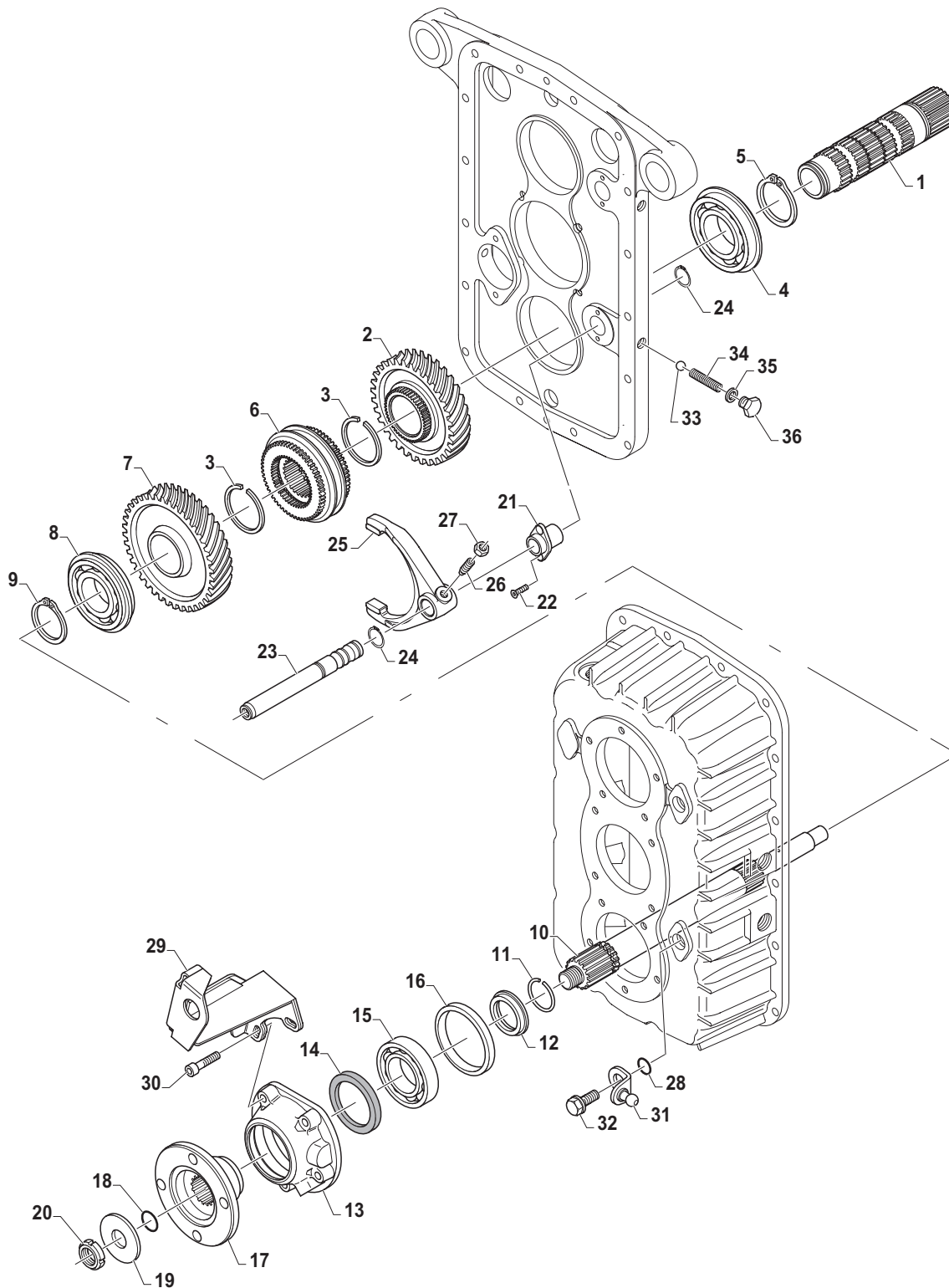
NOTE:





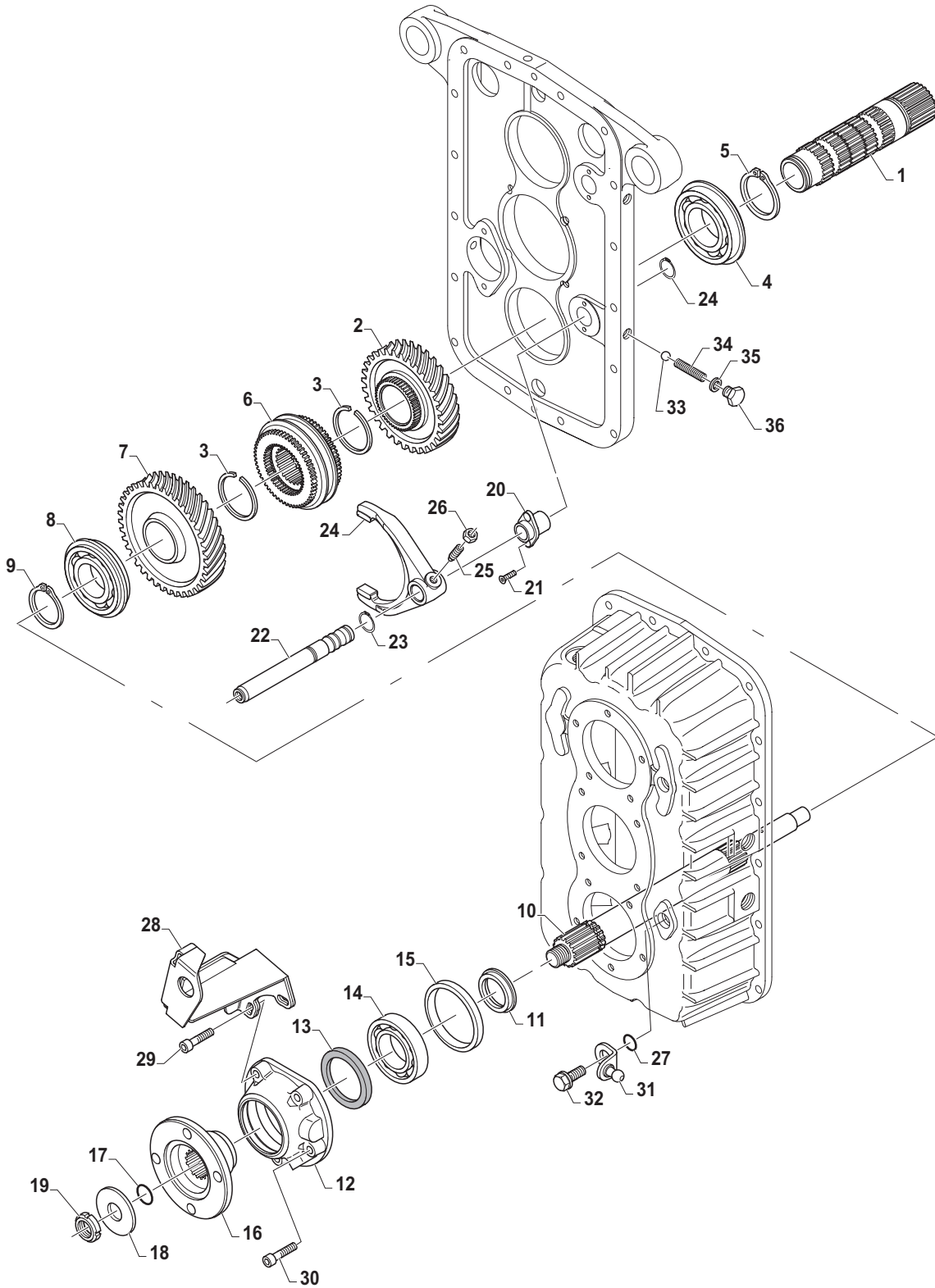
Item	Cod.	Q.tà	Denominazione	Designation	Description	Benennung	Descripción
1	30023035	1	Camma	Came	Cam	Nocken	Leva
2	40040504	3	Vite	Vis	Screw	Schraube	Tornillo
3	43001000	1	Cuscinetto	Roulement	Bearing	Lager	Cojinete
4	41460800	1	Dado	Ecrou	Nut	Mutter	Tuerca
5	42000800	1	Anello elastico	Segments	Piston ring	Kolbenringe	Aros de embolo
6	30024034	1	Bussola	Douille	Bushing	Gewindebuechse	Casquillo
7	30023034	1	Asta	Tige	Rod	Stange	Varilla
8	30024029	1	Rondella	Rondelle	Washer	Scheibe	Arandela
9	30022031	1	Tubo	Tuyau	Hose	Rohr	Manga
10	30024032	2	Molla	Ressort	Spring	Feder	Resorte
11	43900600	2	Sfera	Bille	Ball	Kugel	Bola
12	30024030	1	Tappo forato	Bouchon percé	Perforated plug	Lochstopfen	Tapon perforado
13	30024033	1	Bussola	Douille	Bushing	Gewindebuechse	Casquillo
14	45031000	1	Tappo	Bouchon	Plug	Stopfen	Tapon
15	30024031	1	Molla	Ressort	Spring	Feder	Resorte
16	30021001	1	Corpo pompa	Corps pompe	Pump body	Pumpegehäuse	Corpo bomba

NOTE:



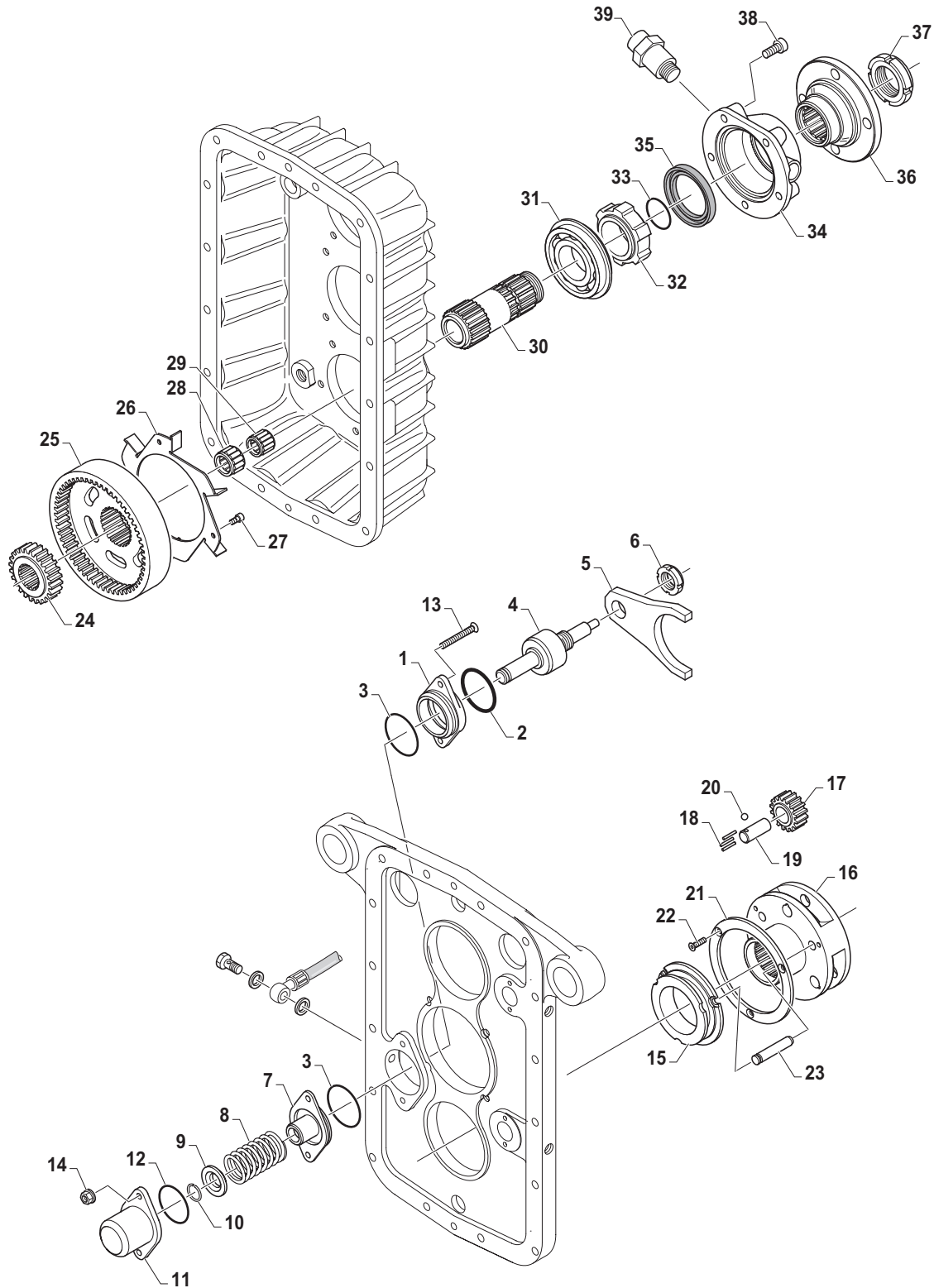
Item	Cod.	Q.tà	Denominazione	Designation	Description	Benennung	Descripción
1	30022003	1	Albero	Axe	Pin	Welle	Arbol
2	30022015	1	Ingranaggio	Pignon	Gear	Zahnrad	Pinon
3	42064400	2	Anello elastico	Segments	Piston ring	Kolbenringe	Aros de embolo
4	43004502	1	Cuscinetto	Roulement	Bearing	Lager	Cojinete
5	42004500	1	Anello elastico	Segments	Piston ring	Kolbenringe	Aros de embolo
6	30023002	1	Sincronizzatore	Synchroniseur	Synchronizer	Synchronisierun	Sincronizador
7	30022012	1	Ingranaggio	Pignon	Gear	Zahnrad	Pinon
8	43004001	1	Cuscinetto	Roulement	Bearing	Lager	Cojinete
9	42004000	1	Anello elastico	Segments	Piston ring	Kolbenringe	Aros de embolo
10	30022023	1	Albero	Axe	Pin	Welle	Arbol
11	42043500	1	Anello elastico	Segments	Piston ring	Kolbenringe	Aros de embolo
12	30023028	1	Boccola	Douille	Bushing	Buchse	Casquillo
13	30023001	1	Coperchio	Couvercle	Cover	Deckel	Tapa
14	44015200	1	Anello di tenuta	Vite	Seal	Bague D'etancheite	Vis
15	43004501	1	Cuscinetto	Roulement	Bearing	Lager	Cojinete
16	30024000	1	Distanziale	Entretoise	Spacer	Distanzstueck	Separador
17	30022010	1	Flangia	Bride	Flange	Flansch	Brida
18	44520202	1	Anello OR	Belag	O-ring gasket	Garniture	Forro
19	30024002	1	Distanziale	Entretoise	Spacer	Distanzstueck	Separador
20	41802000	1	Ghiera	Ecrou	Ring	Gewinding	Zuncho
21	30024018	1	Bussola	Douille	Bushing	Gewindebuechse	Casquillo
22	40060506	2	Vite	Vis	Screw	Schraube	Tornillo
23	30023013	1	Asta inferiore	Tige	Rod	Stange	Varilla
24	42001800	2	Anello elastico	Segments	Piston ring	Kolbenringe	Aros de embolo
25	30023008	1	Forcella	Fourchette	Fork	Gabel	Horquilla
26	30024003	1	Grano	Ergot	Dowel	Passtift	Piton
27	41470800	1	Dado	Ecrou	Nut	Mutter	Tuerca
28	44520178	1	Anello OR	Belag	O-ring gasket	Garniture	Forro
29	30023029	1	Staffa	Etrier	Bracket	Halter	Soporte
30	40040814	5	Vite	Vis	Screw	Schraube	Tornillo
31	30024022	1	Staffa	Etrier	Bracket	Halter	Soporte
32	40081010	1	Vite	Vis	Screw	Schraube	Tornillo
33	43900800	1	Sfera	Bille	Ball	Kugel	Bola
34	30024012	1	Molla	Ressort	Spring	Feder	Resorte
35	45081200	1	Guarnizione	Joint	Gasket	Dichtung	Junta
36	45031200	1	Tappo	Bouchon	Plug	Stopfen	Tapon

NOTE:



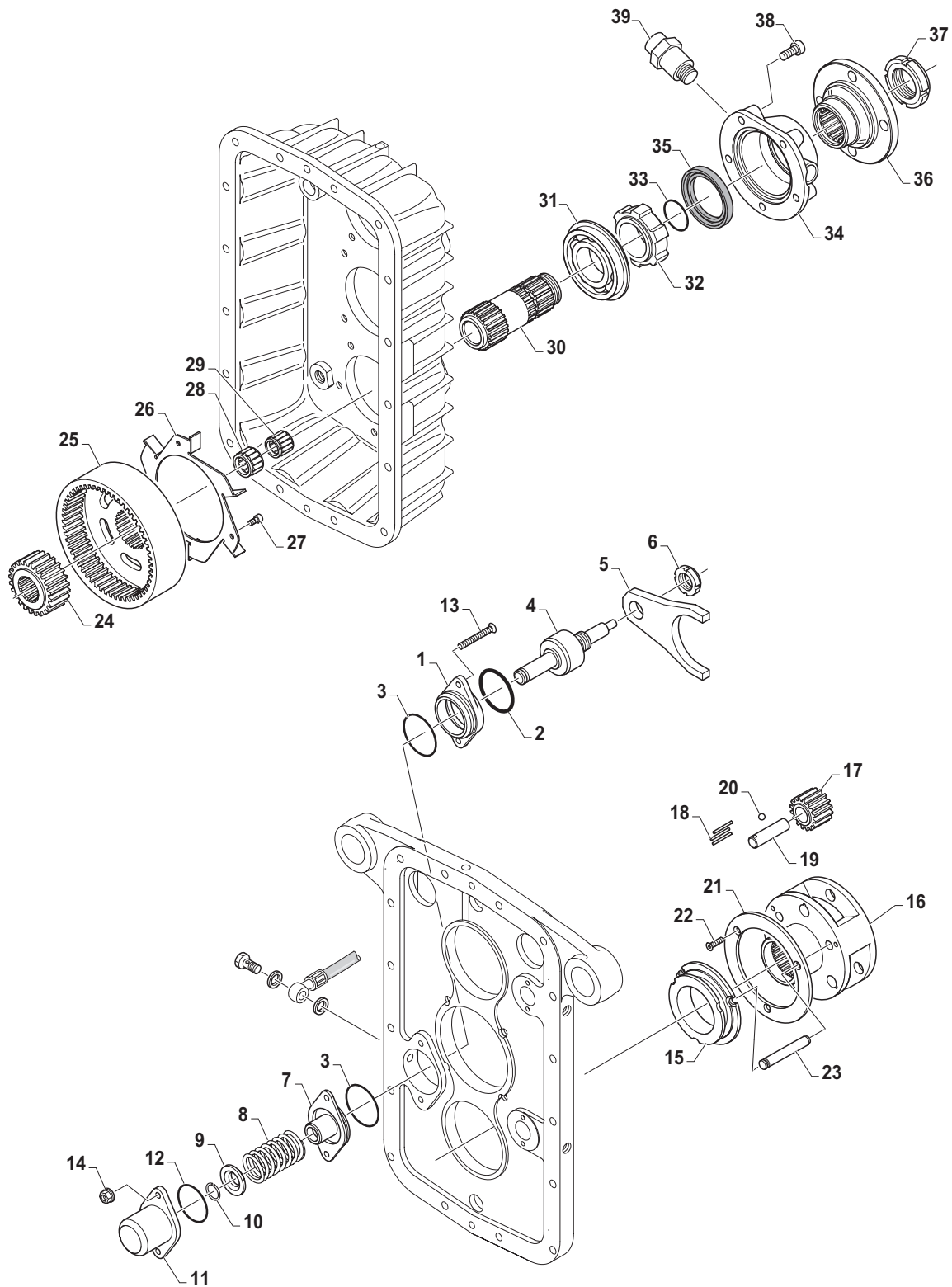
Item	Cod.	Q.tà	Denominazione	Designation	Description	Benennung	Descripción
1	30022003	1	Albero	Axe	Pin	Welle	Arbol
2	30022015	1	Ingranaggio	Pignon	Gear	Zahnrad	Pinon
3	42064400	2	Anello elastico	Segments	Piston ring	Kolbenringe	Aros de embolo
4	43004502	1	Cuscinetto	Roulement	Bearing	Lager	Cojinete
5	42004500	1	Anello elastico	Segments	Piston ring	Kolbenringe	Aros de embolo
6	30023002	1	Sincronizzatore	Synchroniseur	Synchronizer	Synchronisierun	Sincronizador
7	30022012	1	Ingranaggio	Pignon	Gear	Zahnrad	Pinon
8	43004001	1	Cuscinetto	Roulement	Bearing	Lager	Cojinete
9	42004000	1	Anello elastico	Segments	Piston ring	Kolbenringe	Aros de embolo
10	30022027	1	Albero	Axe	Pin	Welle	Arbol
11	30023032	1	Boccola	Douille	Bushing	Buchse	Casquillo
12	30023001	1	Coperchio	Couvercle	Cover	Deckel	Tapa
13	44015200	1	Anello di tenuta	Vite	Seal	Bague D'etancheite	Vis
14	43004501	1	Cuscinetto	Roulement	Bearing	Lager	Cojinete
15	30024000	1	Distanziale	Entretoise	Spacer	Distanzstueck	Separador
16	30022010	1	Flangia	Bride	Flange	Flansch	Brida
17	44520202	1	Anello OR	Belag	O-ring gasket	Garniture	Forro
18	30024002	1	Distanziale	Entretoise	Spacer	Distanzstueck	Separador
19	41802000	1	Ghiera	Ecrou	Ring	Gewinding	Zuncho
20	30024018	1	Bussola	Douille	Bushing	Gewindebuechse	Casquillo
21	40060506	2	Vite	Vis	Screw	Schraube	Tornillo
22	30023013	1	Asta inferiore	Tige	Rod	Stange	Varilla
23	42001800	2	Anello elastico	Segments	Piston ring	Kolbenringe	Aros de embolo
24	30023008	1	Forcella	Fourchette	Fork	Gabel	Horquilla
25	30024003	1	Grano	Ergot	Dowel	Passtift	Piton
26	41470800	1	Dado	Ecrou	Nut	Mutter	Tuerca
27	44520178	1	Anello OR	Belag	O-ring gasket	Garniture	Forro
28	30023029	1	Staffa	Etrier	Bracket	Halter	Soporte
29	40040816	2	Vite	Vis	Screw	Schraube	Tornillo
30	40040814	3	Vite	Vis	Screw	Schraube	Tornillo
31	30024022	1	Staffa	Etrier	Bracket	Halter	Soporte
32	40081010	1	Vite	Vis	Screw	Schraube	Tornillo
33	43900800	1	Sfera	Bille	Ball	Kugel	Bola
34	30024012	1	Molla	Ressort	Spring	Feder	Resorte
35	45081200	1	Guarnizione	Joint	Gasket	Dichtung	Junta
36	45031200	1	Tappo	Bouchon	Plug	Stopfen	Tapon

NOTE:



Item	Cod.	Q.tà	Denominazione	Designation	Description	Benennung	Descripción
1	30023014	1	Flangia	Bride	Flange	Flansch	Brida
2	44550406	1	Anello OR	Belag	O-ring gasket	Garniture	Forro
3	44510473	2	Anello OR	Belag	O-ring gasket	Garniture	Forro
4	30023030	1	Perno	Axe	Pin	Bolzen	Eje
5	30023021	1	Forcella	Fourchette	Fork	Gabel	Horquilla
6	41802000	1	Ghiera	Ecrou	Ring	Gewinding	Zuncho
7	30023026	1	Flangia	Bride	Flange	Flansch	Brida
8	30024013	1	Molla	Ressort	Spring	Feder	Resorte
9	30024007	1	Anello	Bague	Ring	Ring	Anillo
10	42041600	1	Anello elastico	Segments	Piston ring	Kolbenringe	Aros de embolo
11	30024005	1	Coperchio	Couvercle	Cover	Deckel	Tapa
12	44520425	1	Anello OR	Belag	O-ring gasket	Garniture	Forro
13	40060618	2	Vite	Vis	Screw	Schraube	Tornillo
14	41480600	2	Dado	Ecrou	Nut	Mutter	Tuerca
15	30023017	1	Manicotto	Manchon	Sleeve	Manschette	Manguito
16	30022013	1	Porta satelliti	Porte-satellite	Spider	Kegelradträger	Soporte satélite
17	30023019	3	Satellite	Satellite	Satellite gears	Kegelrad	Pinon satellite
18	43702500	60	Rullino	Galet	Roller	Rolle	Rodillo
19	30024009	3	Perno	Axe	Pin	Bolzen	Eje
20	43900400	3	Sfera	Bille	Ball	Kugel	Bola
21	30023018	1	Anello	Bague	Ring	Ring	Anillo
22	40060506	3	Vite	Vis	Screw	Schraube	Tornillo
23	30024010	3	Perno	Axe	Pin	Bolzen	Eje
24	30023023	1	Solare	Roue solaire	Sun wheel	Sonnenrad	Rueda dentada
25	30022018	1	Corona	Couronne	Gear	Zahnkranz	Corona
26	30023025	1	Paletta	Schaufel	ube	Blade	Alabe
27	40040503	3	Vite	Vis	Screw	Schraube	Tornillo
28	43502000	1	Gabbia a rullini	Cage à aiguilles	Needle cage	Nadelkafig	Vaso corto ranurado
29	43501600	1	Gabbia a rullini	Cage à aiguilles	Needle cage	Nadelkafig	Vaso corto ranurado
30	30022009	1	Albero	Axe	Pin	Welle	Arbol
31	43004001	1	Cuscinetto	Roulement	Bearing	Lager	Cojinete
32	30023009	1	Ruota	Roue	Wheel	Rad	Rueda
33	44530345	1	Anello OR	Belag	O-ring gasket	Garniture	Forro
34	30023003	1	Coperchio	Couvercle	Cover	Deckel	Tapa
35	44015200	1	Anello di tenuta	Vite	Seal	Bague D'etancheite	Vis
36	30022001	1	Flangia	Bride	Flange	Flansch	Brida
37	41803500	1	Ghiera	Ecrou	Ring	Gewinding	Zuncho
38	40040814	5	Vite	Vis	Screw	Schraube	Tornillo
39	30023027	1	Trasmettitore	Contacteur	Sender unit	Kontaktgeber	Contactador

NOTE:





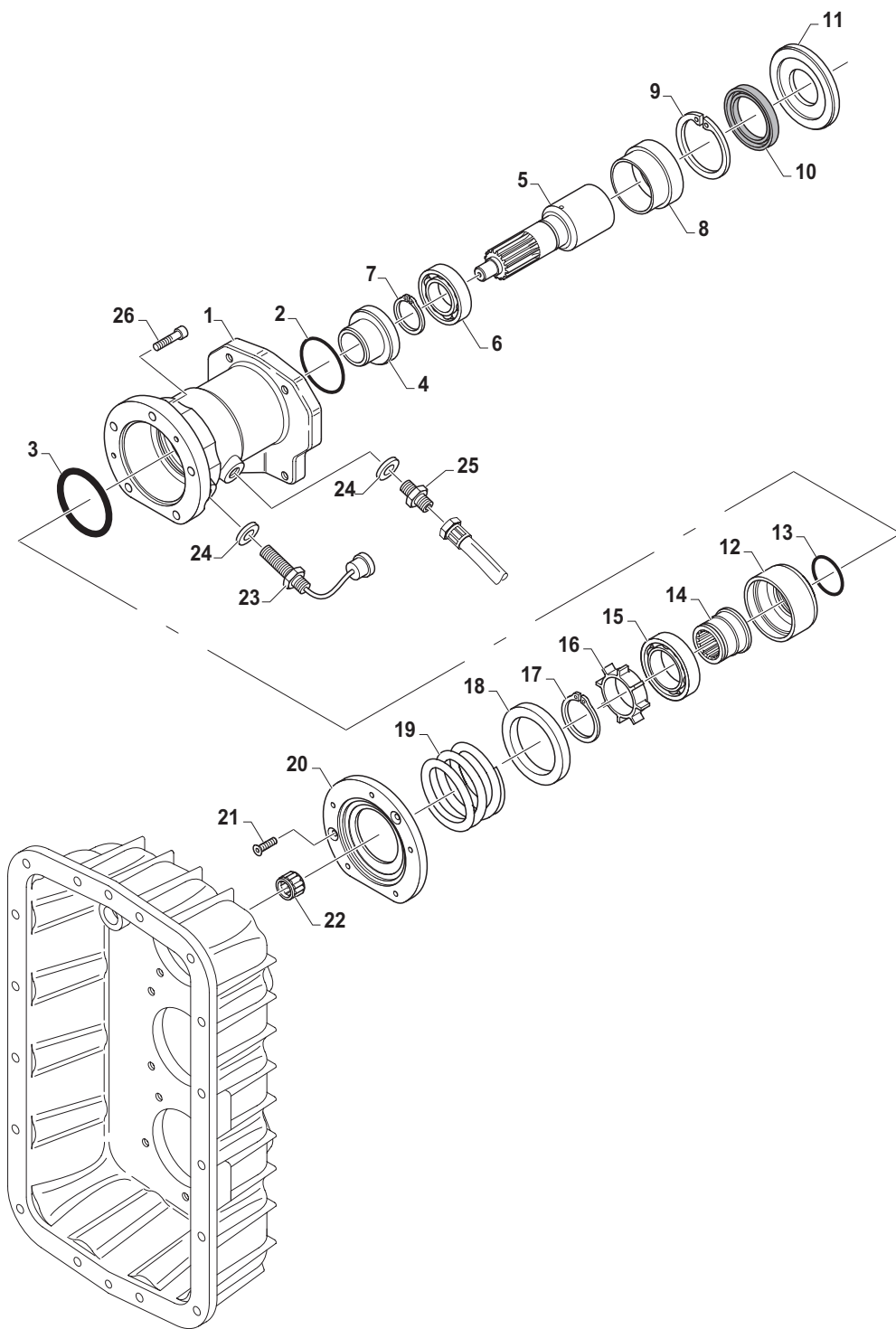
Item	Cod.	Q.tà	Denominazione	Designation	Description	Benennung	Descripción
1	30023014	1	Flangia	Flange	Flansch	Bride	Brida
2	44550406	1	Anello OR	O-ring gasket	Garniture	Belag	Forro
3	44510473	2	Anello OR	O-ring gasket	Garniture	Belag	Forro
4	30023030	1	Perno	Pin	Bolzen	Axe	Eje
5	30023021	1	Forcella	Fork	Gabel	Fourchette	Horquilla
6	41802000	1	Ghiera	Ring	Gewindering	Ecrou	Zuncho
7	30023026	1	Flangia	Flange	Flansch	Bride	Brida
8	30024013	1	Molla	Spring	Feder	Ressort	Resorte
9	30024007	1	Anello	Ring	Ring	Bague	Anillo
10	42041600	1	Anello elastico	Piston ring	Kolbenringe	Segments	Aros de embolo
11	30024005	1	Coperchio	Cover	Deckel	Couvercle	Tapa
12	44520425	1	Anello OR	O-ring gasket	Garniture	Belag	Forro
13	40060618	2	Vite	Screw	Schraube	Vis	Tornillo
14	41480600	2	Dado	Nut	Mutter	Ecrou	Tuerca
15	30023017	1	Manicotto	Sleeve	Manschette	Manchon	Manguito
16	30022035	1	Porta satelliti	Spider	Kegelradträger	Porte-satellite	Soporte satélite
17	30023033	3	Satellite	Satellite gears	Kegelrad	Satellite	Pinon satellite
18	43702501	60	Rullino	Roller	Rolle	Galet	Rodillo
19	30024035	3	Perno	Pin	Bolzen	Axe	Eje
20	43900400	3	Sfera	Ball	Kugel	Bille	Bola
21	30023018	1	Anello	Ring	Ring	Bague	Anillo
22	40060506	3	Vite	Screw	Schraube	Vis	Tornillo
23	30024036	3	Perno	Pin	Bolzen	Axe	Eje
24	30023036	1	Solare	Sun wheel	Sonnenrad	Roue solaire	Rueda dentada
25	30022033	1	Corona	Gear	Zahnkranz	Couronne	
26	30023025	1	Paletta	ube	Blade	Schaufel	Alabe
27	40040503	3	Vite	Screw	Schraube	Vis	Tornillo
28	43502000	1	Gabbia a rullini	Needle cage	Nadelkafig	Cage à aiguilles	Vaso corto ranurado
29	43501600	1	Gabbia a rullini	Needle cage	Nadelkafig	Cage à aiguilles	Vaso corto ranurado
30	30022009	1	Albero	Pin	Welle	Axe	Arbol
31	43004001	1	Cuscinetto	Bearing	Lager	Roulement	Cojinete
32	30023009	1	Ruota	Wheel	Rad	Roue	
33	44530345	1	Anello OR	O-ring gasket	Garniture	Belag	Forro
34	30023003	1	Coperchio	Cover	Deckel	Couvercle	Tapa
35	44015200	1	Anello di tenuta	Seal	Bague D'etancheite	Vite	Vis
36	30022001	1	Flangia	Flange	Flansch	Bride	Brida
37	41803500	1	Ghiera	Ring	Gewindering	Ecrou	Zuncho
38	40040814	5	Vite	Screw	Schraube	Vis	Tornillo
39	30023027	1	Trasmettitore	Sender unit	Kontaktgeber	Contacteur	Contactador

NOTE:



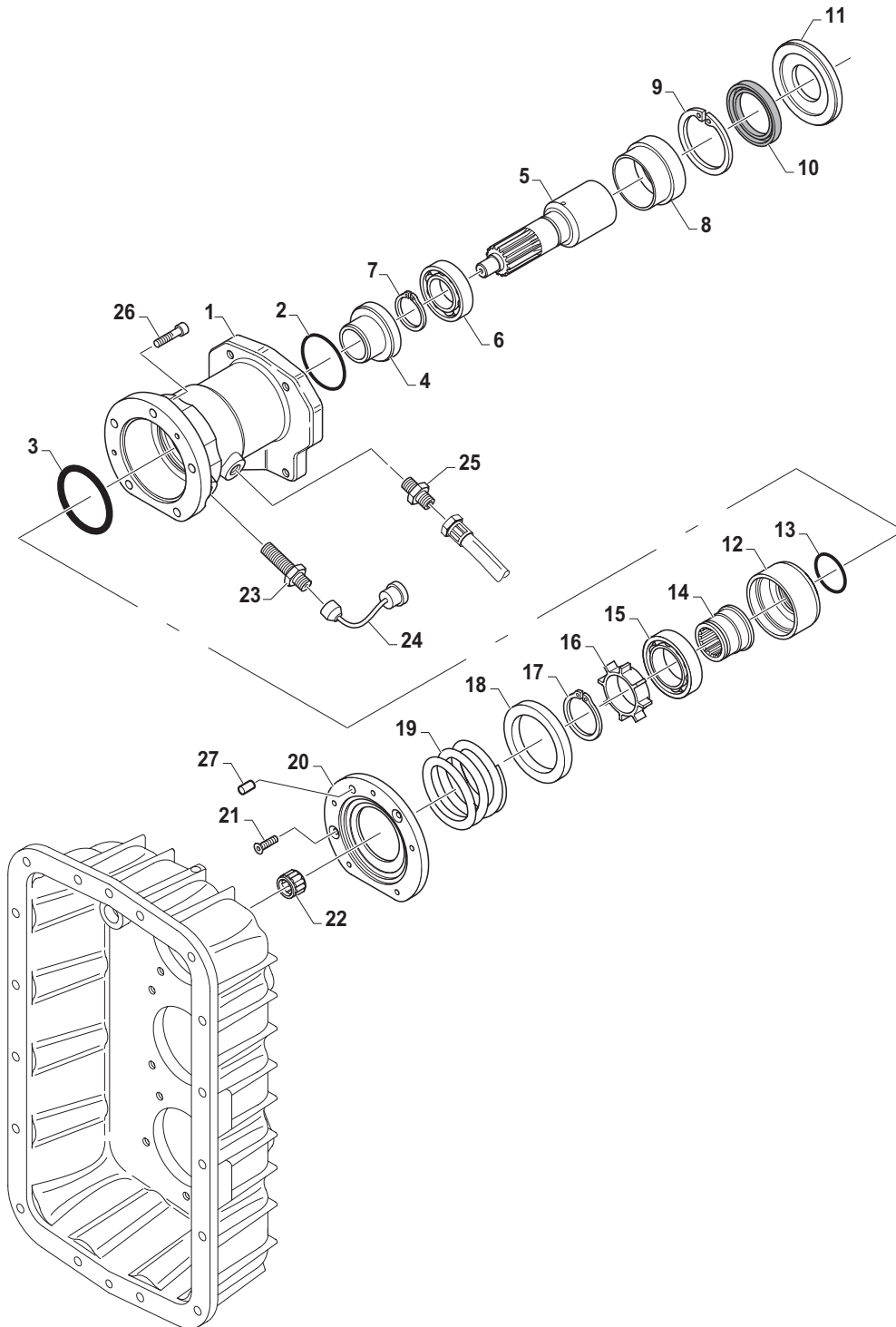
Item	Cod.	Q.tà	Denominazione	Designation	Description	Benennung	Descripción
1	30023014	1	Flangia	Flange	Flansch	Bride	Brida
2	44550406	1	Anello OR	O-ring gasket	Garniture	Belag	Forro
3	44510473	2	Anello OR	O-ring gasket	Garniture	Belag	Forro
4	30023030	1	Perno	Pin	Bolzen	Axe	Eje
5	30023021	1	Forcella	Fork	Gabel	Fourchette	Horquilla
6	41802000	1	Ghiera	Ring	Gewindering	Ecrou	Zuncho
7	30023026	1	Flangia	Flange	Flansch	Bride	Brida
8	30024013	1	Molla	Spring	Feder	Ressort	Resorte
9	30024007	1	Anello	Ring	Ring	Bague	Anillo
10	42041600	1	Anello elastico	Piston ring	Kolbenringe	Segments	Aros de embolo
11	30024005	1	Coperchio	Cover	Deckel	Couvercle	Tapa
12	44520425	1	Anello OR	O-ring gasket	Garniture	Belag	Forro
13	40060618	2	Vite	Screw	Schraube	Vis	Tornillo
14	41480600	2	Dado	Nut	Mutter	Ecrou	Tuerca
15	30023017	1	Manicotto	Sleeve	Manschette	Manchon	Manguito
16	30022035	1	Porta satelliti	Spider	Kegelradträger	Porte-satellite	Soporte satélite
17	30023033	3	Satellite	Satellite gears	Kegelrad	Satellite	Pinon satellite
18	43702501	60	Rullino	Roller	Rolle	Galet	Rodillo
19	30024035	3	Perno	Pin	Bolzen	Axe	Eje
20	43900400	3	Sfera	Ball	Kugel	Bille	Bola
21	30023018	1	Anello	Ring	Ring	Bague	Anillo
22	40060506	3	Vite	Screw	Schraube	Vis	Tornillo
23	30024036	3	Perno	Pin	Bolzen	Axe	Eje
24	30023036	1	Solare	Sun wheel	Sonnenrad	Roue solaire	Rueda dentada
25	30022033	1	Corona	Gear	Zahnkranz	Couronne	
26	30023025	1	Paletta	ube	Blade	Schaufel	Alabe
27	40040503	3	Vite	Screw	Schraube	Vis	Tornillo
28	43502000	1	Gabbia a rullini	Needle cage	Nadelkafig	Cage à aiguilles	Vaso corto ranurado
29	43501600	1	Gabbia a rullini	Needle cage	Nadelkafig	Cage à aiguilles	Vaso corto ranurado
30	30022009	1	Albero	Pin	Welle	Axe	Arbol
31	43004001	1	Cuscinetto	Bearing	Lager	Roulement	Cojinete
32	30023009	1	Ruota	Wheel	Rad	Roue	
33	44530345	1	Anello OR	O-ring gasket	Garniture	Belag	Forro
34	30023003	1	Coperchio	Cover	Deckel	Couvercle	Tapa
35	44015200	1	Anello di tenuta	Seal	Bague D'etancheite	Vite	Vis
36	30022001	1	Flangia	Flange	Flansch	Bride	Brida
37	41803500	1	Ghiera	Ring	Gewindering	Ecrou	Zuncho
38	40040814	5	Vite	Screw	Schraube	Vis	Tornillo
39	30023037	1	Trasmettitore	Sender unit	Kontaktgeber	Contacteur	Contactador

NOTE:



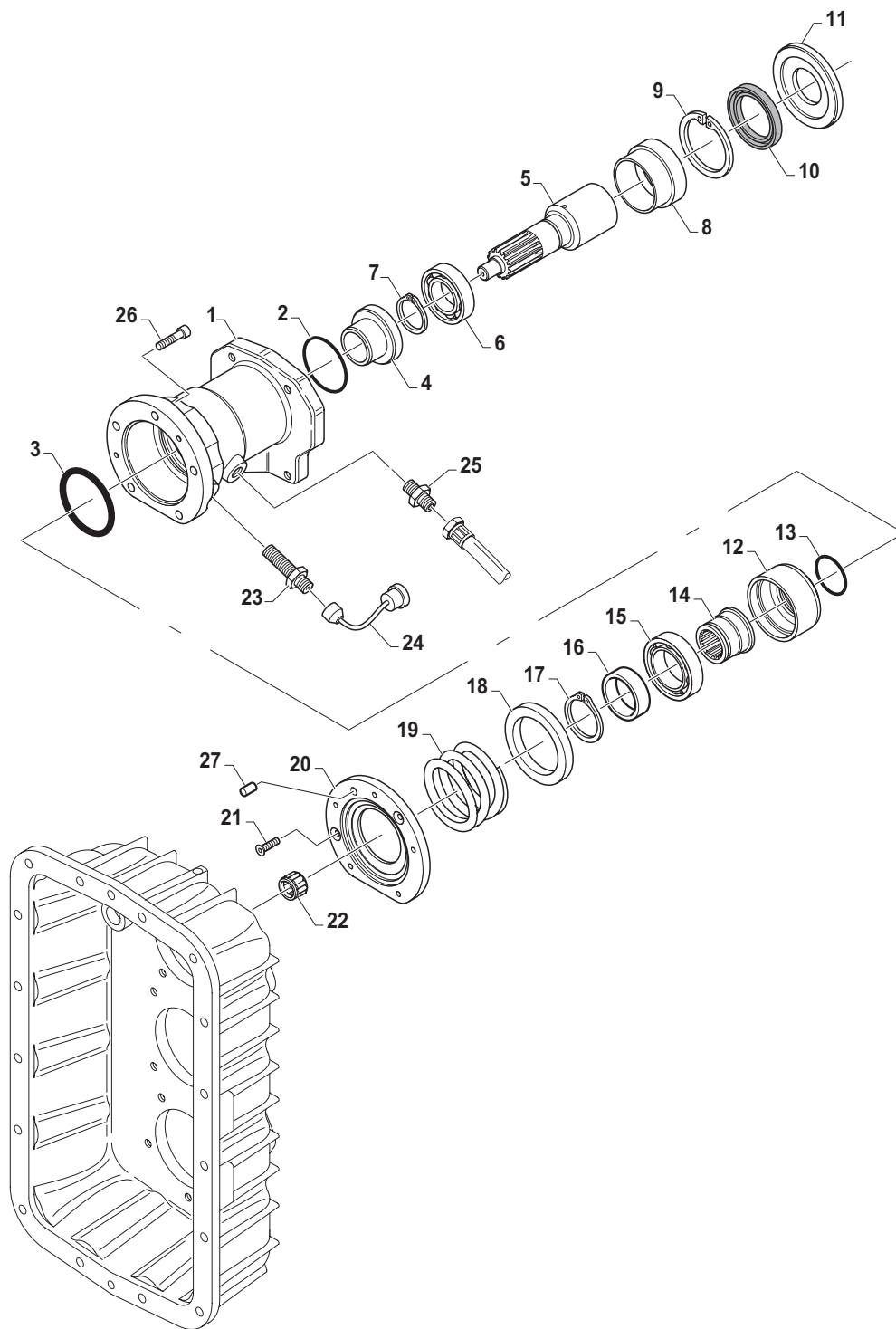
Item	Cod.	Q.tà	Denominazione	Designation	Description	Benennung	Descripción
1	30021000	1	Corpo	Corps	Body	Gehäuse	Cuerpo
2	44530539	1	Anello OR	Belag	O-ring gasket	Garniture	Forro
3	44550628	1	Anello OR	Belag	O-ring gasket	Garniture	Forro
4	30024004	1	Bussola	Douille	Bushing	Gewindebuechse	Casquillo
5	30022021	1	Albero	Axe	Pin	Welle	Arbol
6	43003000	1	Cuscinetto	Roulement	Bearing	Lager	Cojinete
7	42003000	1	Anello elastico	Segments	Piston ring	Kolbenringe	Aros de embolo
8	30024019	1	Distanziale	Entretoise	Spacer	Distanzstueck	Separador
9	42026200	1	Anello elastico	Segments	Piston ring	Kolbenringe	Aros de embolo
10	44014500	1	Anello di tenuta	Vite	Seal	Bague D'etancheite	Vis
11	30024016	1	Distanziale	Entretoise	Spacer	Distanzstueck	Separador
12	30023006	1	Attuatore	Actuateur	Actuator	Stellantrieb	Accionador
13	44530376	1	Anello OR	Belag	O-ring gasket	Garniture	Forro
14	30023020	1	Manicotto	Manchon	Sleeve	Manschette	Manguito
15	43004002	1	Cuscinetto	Roulement	Bearing	Lager	Cojinete
16	30024017	1	Paletta	Schaufel	ube	Blade	Alabe
17	42003800	1	Anello elastico	Segments	Piston ring	Kolbenringe	Aros de embolo
18	30024001	1	Distanziale	Entretoise	Spacer	Distanzstueck	Separador
19	30024014	1	Molla	Ressort	Spring	Feder	Resorte
20	30022005	1	Flangia	Bride	Flange	Flansch	Brida
21	40060506	2	Vite	Vis	Screw	Schraube	Tornillo
22	43501400	1	Gabbia a rullini	Cage à aiguilles	Needle cage	Nadelkafig	Vaso corto ranurado
23	30063054	1	Sensore	Sensor	Sensor	Capteur	Testigo
24	45081200	1	Guarnizione	Joint	Gasket	Dichtung	Junta
25	45101212	1	Raccordo	Raccord	Connection	Stutzen	Racor
26	40040814	5	Vite	Vis	Screw	Schraube	Tornillo

NOTE:



Item	Cod.	Q.tà	Denominazione	Designation	Description	Benennung	Descripción
1	30021000	1	Corpo	Corps	Body	Gehäuse	Cuerpo
2	44530539	1	Anello OR	Belag	O-ring gasket	Garniture	Forro
3	44550628	1	Anello OR	Belag	O-ring gasket	Garniture	Forro
4	30024004	1	Bussola	Douille	Bushing	Gewindebuechse	Casquillo
5	30022021	1	Albero	Axe	Pin	Welle	Arbol
6	43003000	1	Cuscinetto	Roulement	Bearing	Lager	Cojinete
7	42003000	1	Anello elastico	Segments	Piston ring	Kolbenringe	Aros de embolo
8	30024019	1	Distanziale	Entretoise	Spacer	Distanzstueck	Separador
9	42026200	1	Anello elastico	Segments	Piston ring	Kolbenringe	Aros de embolo
10	44014500	1	Anello di tenuta	Vite	Seal	Bague D'etancheite	Vis
11	30024016	1	Distanziale	Entretoise	Spacer	Distanzstueck	Separador
12	30023006	1	Attuatore	Actuateur	Actuator	Stellantrieb	Accionador
13	44530376	1	Anello OR	Belag	O-ring gasket	Garniture	Forro
14	30023020	1	Manicotto	Manchon	Sleeve	Manschette	Manguito
15	43004002	1	Cuscinetto	Roulement	Bearing	Lager	Cojinete
16	30024017	1	Paletta	Schaufel	ube	Blade	Alabe
17	42003800	1	Anello elastico	Segments	Piston ring	Kolbenringe	Aros de embolo
18	30024001	1	Distanziale	Entretoise	Spacer	Distanzstueck	Separador
19	30024014	1	Molla	Ressort	Spring	Feder	Resorte
20	30022005	1	Flangia	Bride	Flange	Flansch	Brida
21	40060506	2	Vite	Vis	Screw	Schraube	Tornillo
22	43501400	1	Gabbia a rullini	Cage à aiguilles	Needle cage	Nadelkafig	Vaso corto ranurado
23	30064089	1	Sensore	Sensor	Sensor	Capteur	Testigo
24	30063070	1	Cavo	Cable	Cable	Leitung	Junta
25	45101212	1	Raccordo	Raccord	Connection	Stutzen	Racor
26	40040814	5	Vite	Vis	Screw	Schraube	Tornillo
27	30024028	1	Bussola	Douille	Bushing	Gewindebuechse	Casquillo

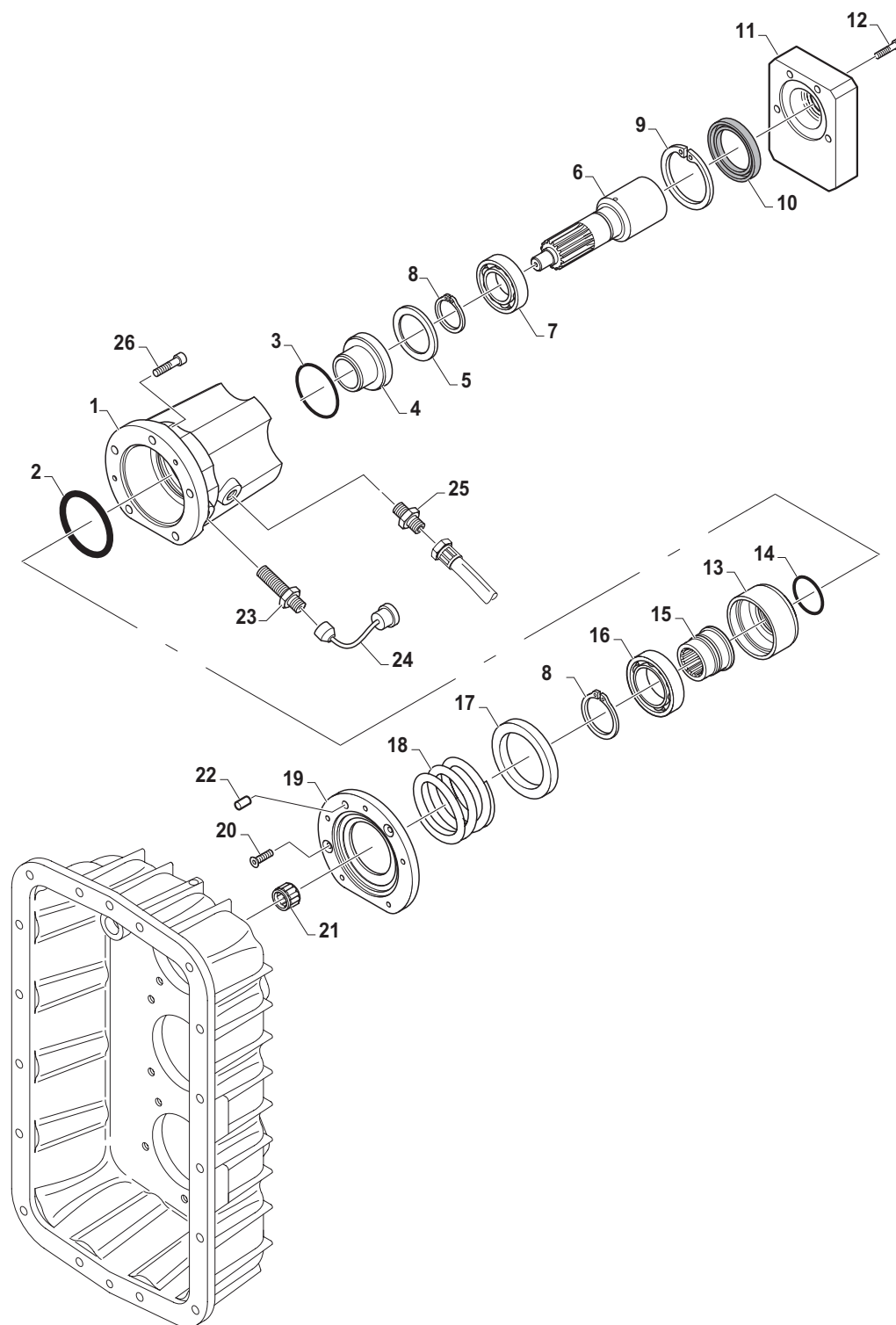
NOTE:





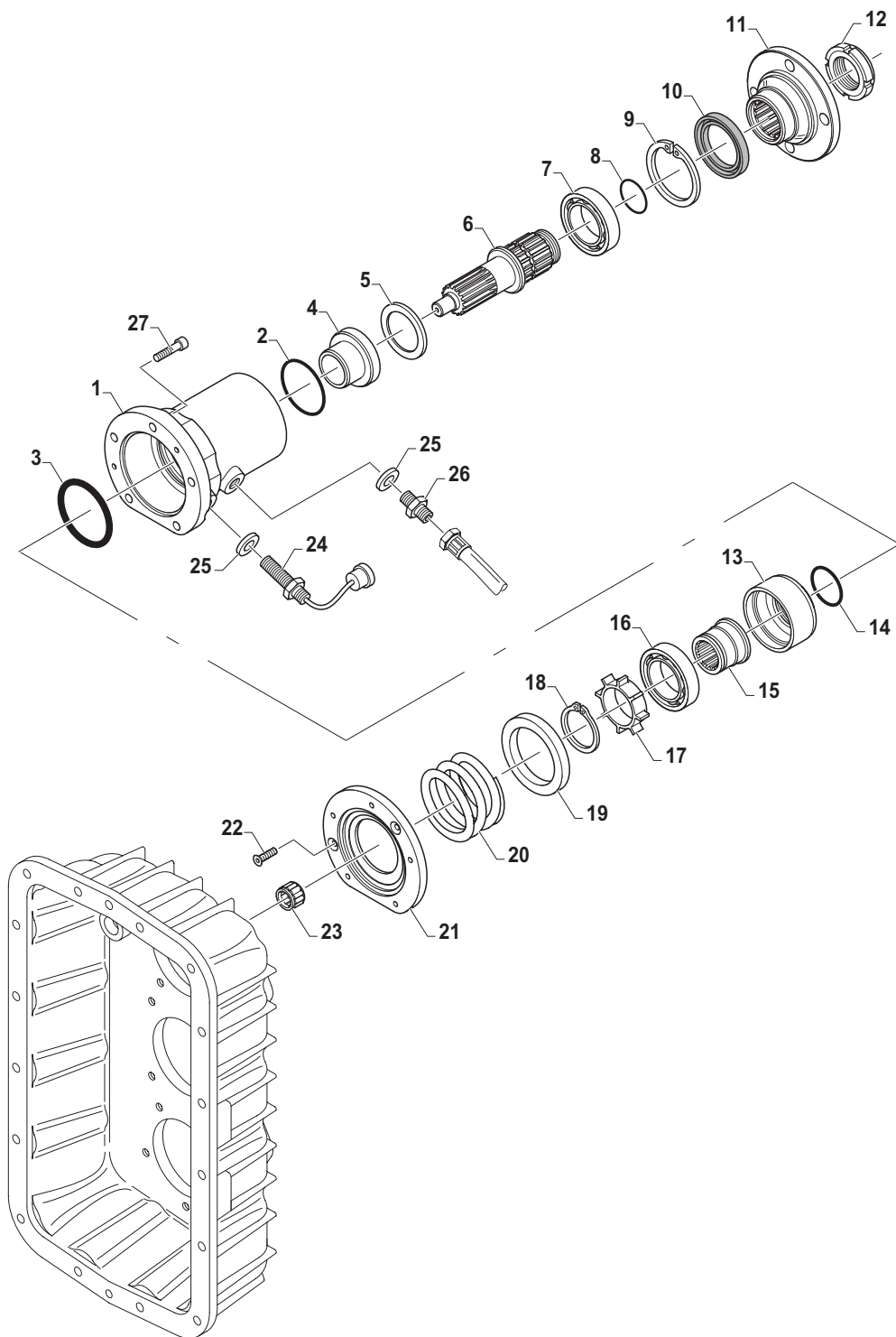
Item	Cod.	Q.tà	Denominazione	Designation	Description	Benennung	Descripción
1	30021000	1	Corpo	Body	Gehäuse	Corps	Cuerpo
2	44530539	1	Anello OR	O-ring gasket	Garniture	Belag	Forro
3	44550628	1	Anello OR	O-ring gasket	Garniture	Belag	Forro
4	30024004	1	Bussola	Bushing	Gewindebuechse	Douille	Casquillo
5	30022021	1	Albero	Pin	Welle	Axe	Arbol
6	43003000	1	Cuscinetto	Bearing	Lager	Roulement	Cojinete
7	42003000	1	Anello elastico	Piston ring	Kolbenringe	Segments	Aros de embolo
8	30024019	1	Distanziale	Spacer	Distanzstueck	Entretoise	Separador
9	42026200	1	Anello elastico	Piston ring	Kolbenringe	Segments	Aros de embolo
10	44014500	1	Anello di tenuta	Seal	Bague D'etancheite	Vite	Vis
11	30024016	1	Distanziale	Spacer	Distanzstueck	Entretoise	Separador
12	30023006	1	Attuatore	Actuator	Stellantrieb	Actuateur	Accionador
13	44530376	1	Anello OR	O-ring gasket	Garniture	Belag	Forro
14	30023020	1	Manicotto	Sleeve	Manschette	Manchon	Manguito
15	43004002	1	Cuscinetto	Bearing	Lager	Roulement	Cojinete
16	30024037	1	Distanziale	Spacer	Distanzstueck	Entretoise	Separador
17	42003800	1	Anello elastico	Piston ring	Kolbenringe	Segments	Aros de embolo
18	30024001	1	Distanziale	Spacer	Distanzstueck	Entretoise	Separador
19	30024014	1	Molla	Spring	Feder	Ressort	Resorte
20	30022005	1	Flangia	Flange	Flansch	Bride	Brida
21	40060506	2	Vite	Screw	Schraube	Vis	Tornillo
22	43501400	1	Gabbia a rullini	Needle cage	Nadelkafig	Cage à aiguilles	Vaso corto ranurado
23	30064089	1	Sensore	Sensor	Capteur	Sensor	Testigo
24	30063070	1	Cavo	Cable	Leitung	Cable	Cable
25	45101212	1	Raccordo	Connection	Stutzen	Raccord	Racor
26	40040814	5	Vite	Screw	Schraube	Vis	Tornillo
27	30024028	1	Bussola	Bushing	Gewindebuechse	Douille	Casquillo

NOTE:



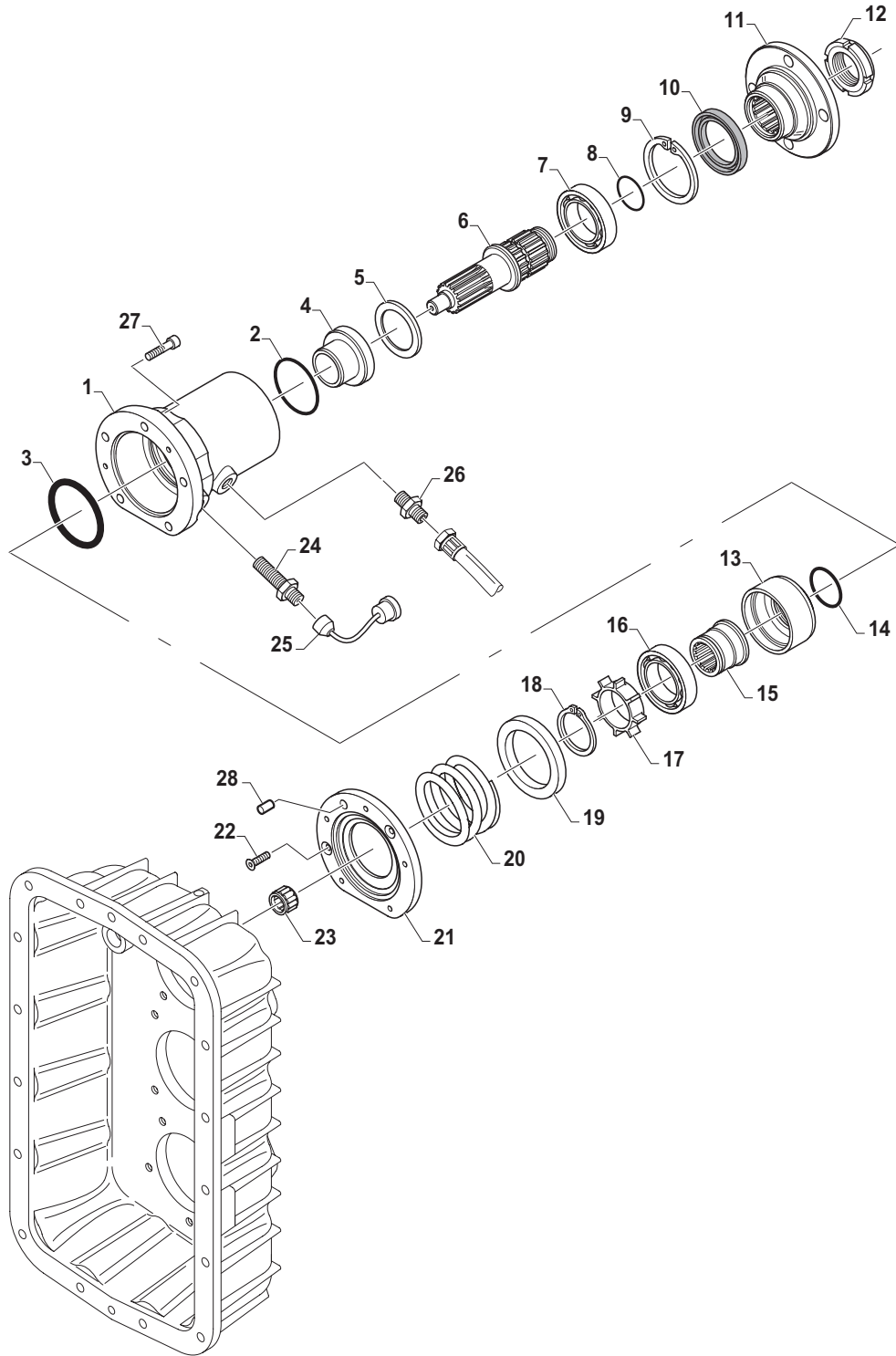
Item	Cod.	Q.tà	Denominazione	Designation	Description	Benennung	Descripción
1	30021002	1	Corpo	Body	Gehause	Corps	Cuerpo
2	44550628	1	Anello OR	O-ring gasket	Garniture	Belag	Forro
3	44530539	1	Anello OR	O-ring gasket	Garniture	Belag	Forro
4	30024004	1	Bussola	Bushing	Gewindebuechse	Douille	Casquillo
5	30024024	1	Distanziale	Spacer	Distanzstueck	Entretoise	Separador
6	30022039	1	Albero	Pin	Welle	Axe	Arbol
7	43004003	1	Cuscinetto	Bearing	Lager	Roulement	Cojinete
8	42004000	2	Anello elastico	Piston ring	Kolbenringe	Segments	Aros de embolo
9	42026800	1	Anello elastico	Piston ring	Kolbenringe	Segments	Aros de embolo
10	44015201	1	Anello di tenuta	Seal	Bague D'etancheite	Vite	Vis
11	30023043	1	Distanziale	Spacer	Distanzstueck	Entretoise	Separador
12	40041018	4	Vite	Screw	Schraube	Vis	Tornillo
13	30023006	1	Attuatore	Actuator	Stellantrieb	Actuateur	Accionador
14	44530376	1	Anello OR	O-ring gasket	Garniture	Belag	Forro
15	30023044	1	Manicotto	Sleeve	Manschette	Manchon	Manguito
16	43004002	1	Cuscinetto	Bearing	Lager	Roulement	Cojinete
17	30024001	1	Distanziale	Spacer	Distanzstueck	Entretoise	Separador
18	30024014	1	Molla	Spring	Feder	Ressort	Resorte
19	30022005	1	Flangia	Flange	Flansch	Bride	Brida
20	40060506	2	Vite	Screw	Schraube	Vis	Tornillo
21	43501400	1	Gabbia a rullini	Needle cage	Nadelkafig	Cage à aiguilles	Vaso corto ranurado
22	30024028	1	Bussola	Bushing	Gewindebuechse	Douille	Casquillo
23	40040814	5	Vite	Screw	Schraube	Vis	Tornillo
24	30064089	1	Sensore	Sensor	Capteur	Sensor	Testigo
25	30063070	1	Cavo	Cable	Leitung	Cable	Cable
26	45101212	1	Raccordo	Connection	Stutzen	Raccord	Racor

NOTE:



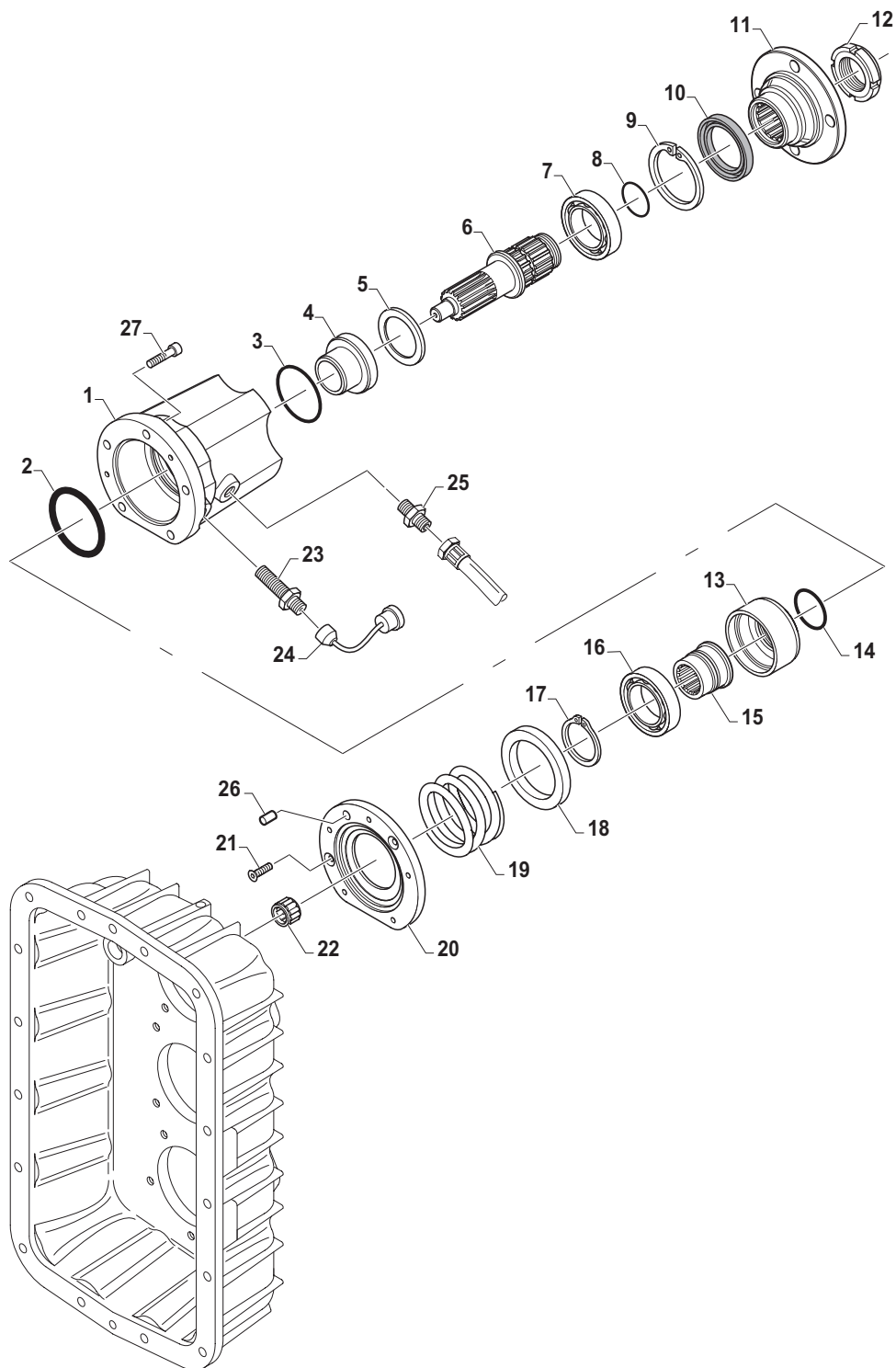
Item	Cod.	Q.tà	Denominazione	Designation	Description	Benennung	Descripci3n
1	30022014	1	Corpo	Corps	Body	Gehause	Cuerpo
2	44530539	1	Anello OR	Belag	O-ring gasket	Garniture	Forro
3	44550628	1	Anello OR	Belag	O-ring gasket	Garniture	Forro
4	30024004	1	Bussola	Douille	Bushing	Gewindebuechse	Casquillo
5	30024024	1	Distanziale	Entretoise	Spacer	Distanzstueck	Separador
6	30022000	1	Albero	Axe	Pin	Welle	Arbol
7	43004003	1	Cuscinetto	Roulement	Bearing	Lager	Cojinete
8	44530345	1	Anello OR	Belag	O-ring gasket	Garniture	Forro
9	42026800	1	Anello elastico	Segments	Piston ring	Kolbenringe	Aros de embolo
10	44015201	1	Anello di tenuta	Vite	Seal	Bague D'etancheite	Vis
11	30022001	1	Flangia	Bride	Flange	Flansch	Brida
12	41803500	1	Ghiera	Ecrou	Ring	Gewinding	Zuncho
13	30023006	1	Attuatore	Actuateur	Actuator	Stellantrieb	Accionador
14	44530376	1	Anello OR	Belag	O-ring gasket	Garniture	Forro
15	30023020	1	Manicotto	Manchon	Sleeve	Manschette	Manguito
16	43004002	1	Cuscinetto	Roulement	Bearing	Lager	Cojinete
17	30024017	1	Paletta	Schaufel	ube	Blade	Alabe
18	42003800	1	Anello elastico	Segments	Piston ring	Kolbenringe	Aros de embolo
19	30024001	1	Distanziale	Entretoise	Spacer	Distanzstueck	Separador
20	30024014	1	Molla	Ressort	Spring	Feder	Resorte
21	30022005	1	Flangia	Bride	Flange	Flansch	Brida
22	40060506	2	Vite	Vis	Screw	Schraube	Tornillo
23	43501400	1	Gabbia a rullini	Cage à aiguilles	Needle cage	Nadelkafig	Vaso corto ranurado
24	30063054	1	Sensore	Sensor	Sensor	Capteur	Testigo
25	45063200	1	Guarnizione	Joint	Gasket	Dichtung	Junta
26	45101212	1	Raccordo	Raccord	Connection	Stutzen	Racor
27	40040814	5	Vite	Vis	Screw	Schraube	Tornillo

NOTE:



Item	Cod.	Q.tà	Denominazione	Designation	Description	Benennung	Descripción
1	30022014	1	Corpo	Corps	Body	Gehause	Cuerpo
2	44530539	1	Anello OR	Belag	O-ring gasket	Garniture	Forro
3	44550628	1	Anello OR	Belag	O-ring gasket	Garniture	Forro
4	30024004	1	Bussola	Douille	Bushing	Gewindebuechse	Casquillo
5	30024024	1	Distanziale	Entretoise	Spacer	Distanzstueck	Separador
6	30022000	1	Albero	Axe	Pin	Welle	Arbol
7	43004003	1	Cuscinetto	Roulement	Bearing	Lager	Cojinete
8	44530345	1	Anello OR	Belag	O-ring gasket	Garniture	Forro
9	42026800	1	Anello elastico	Segments	Piston ring	Kolbenringe	Aros de embolo
10	44015201	1	Anello di tenuta	Vite	Seal	Bague D'etancheite	Vis
11	30022001	1	Flangia	Bride	Flange	Flansch	Brida
12	41803500	1	Ghiera	Ecrou	Ring	Gewindering	Zuncho
13	30023006	1	Attuatore	Actuateur	Actuator	Stellantrieb	Accionador
14	44530376	1	Anello OR	Belag	O-ring gasket	Garniture	Forro
15	30023020	1	Manicotto	Manchon	Sleeve	Manschette	Manguito
16	43004002	1	Cuscinetto	Roulement	Bearing	Lager	Cojinete
17	30024017	1	Paletta	Schaufel	ube	Blade	Alabe
18	42003800	1	Anello elastico	Segments	Piston ring	Kolbenringe	Aros de embolo
19	30024001	1	Distanziale	Entretoise	Spacer	Distanzstueck	Separador
20	30024014	1	Molla	Ressort	Spring	Feder	Resorte
21	30022005	1	Flangia	Bride	Flange	Flansch	Brida
22	40060506	2	Vite	Vis	Screw	Schraube	Tornillo
23	43501400	1	Gabbia a rullini	Cage à aiguilles	Needle cage	Nadelkafig	Vaso corto ranurado
24	30064089	1	Sensore	Sensor	Sensor	Capteur	Testigo
25	30063069	1	Cavo	Cable	Cable	Leitung	Junta
26	45101212	1	Raccordo	Raccord	Connection	Stutzen	Racor
27	40040814	5	Vite	Vis	Screw	Schraube	Tornillo
28	30024028	1	Bussola	Douille	Bushing	Gewindebuechse	Casquillo

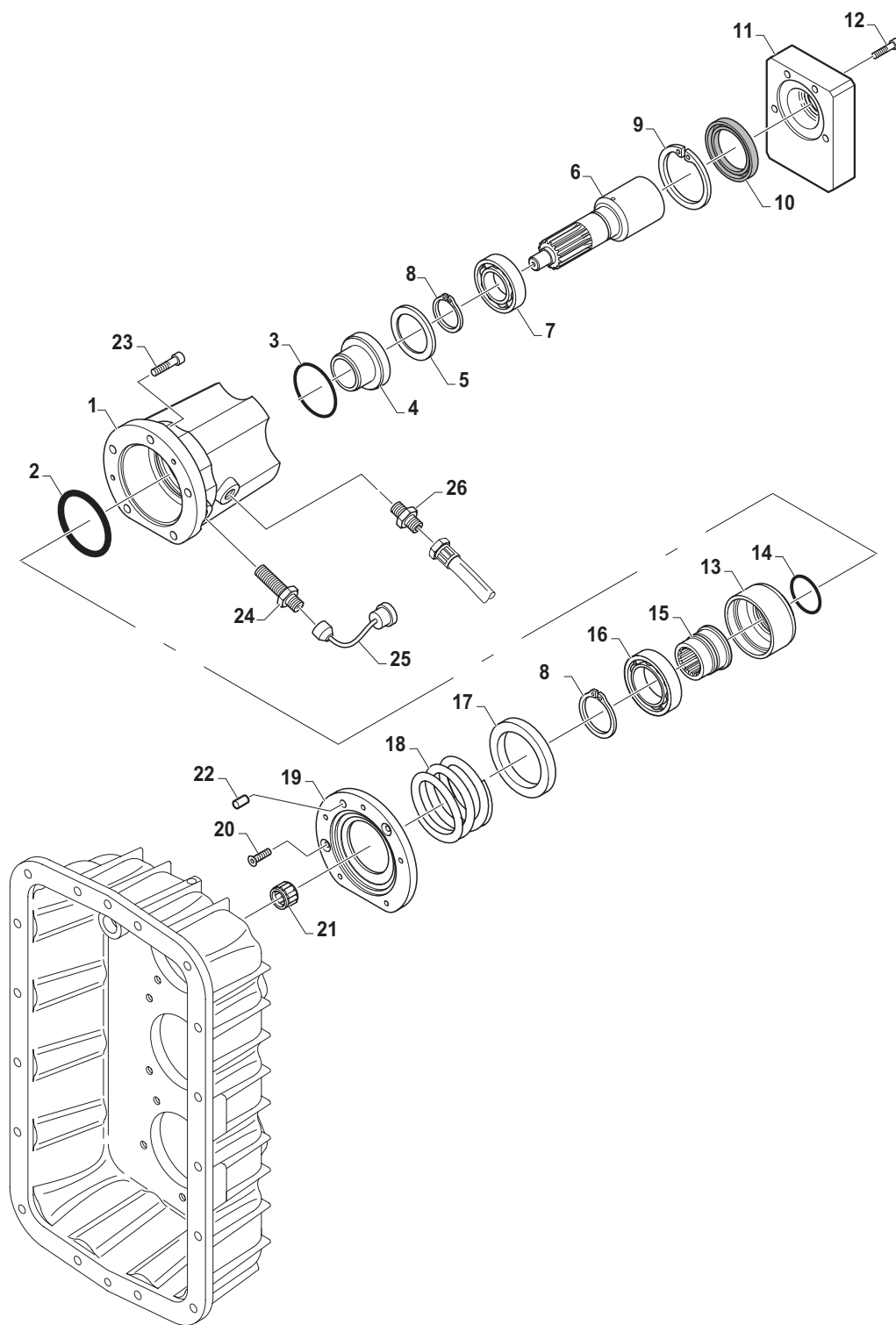
NOTE:





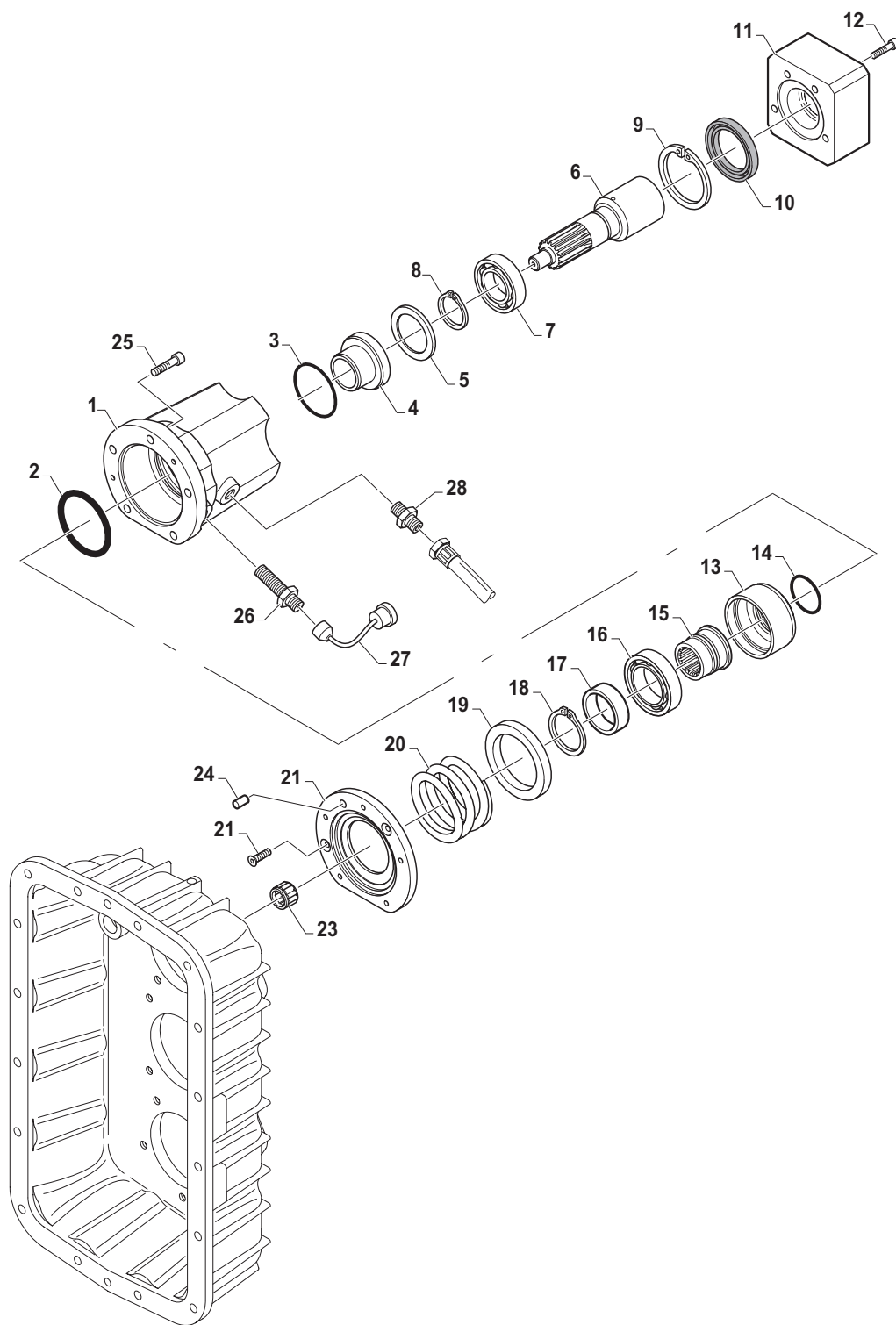
Item	Cod.	Q.tà	Denominazione	Designation	Description	Benennung	Descripción
1	300221002	1	Corpo	Body	Gehause	Corps	Cuerpo
2	44550628	1	Anello OR	O-ring gasket	Garniture	Belag	Forro
3	44530539	1	Anello OR	O-ring gasket	Garniture	Belag	Forro
4	30024004	1	Bussola	Bushing	Gewindebuechse	Douille	Casquillo
5	30024024	1	Distanziale	Spacer	Distanzstueck	Entretoise	Separador
6	30022000	1	Albero	Pin	Welle	Axe	Arbol
7	43004003	1	Cuscinetto	Bearing	Lager	Roulement	Cojinete
8	44530345	1	Anello OR	O-ring gasket	Garniture	Belag	Forro
9	42026800	1	Anello elastico	Piston ring	Kolbenringe	Segments	Aros de embolo
10	44015201	1	Anello di tenuta	Seal	Bague D'etancheite	Vite	Vis
11	30022037	1	Flangia	Flange	Flansch	Bride	Brida
12	41803500	1	Ghiera	Ring	Gewinding	Ecrou	Zuncho
13	30023006	1	Attuatore	Actuator	Stellantrieb	Actuateur	Accionador
14	44530376	1	Anello OR	O-ring gasket	Garniture	Belag	Forro
15	30023044	1	Manicotto	Sleeve	Manschette	Manchon	Manguito
16	43004002	1	Cuscinetto	Bearing	Lager	Roulement	Cojinete
17	42004000	1	Anello elastico	Piston ring	Kolbenringe	Segments	Aros de embolo
18	30024001	1	Distanziale	Spacer	Distanzstueck	Entretoise	Separador
19	30024014	1	Molla	Spring	Feder	Ressort	Resorte
20	30022005	1	Flangia	Flange	Flansch	Bride	Brida
21	40060506	2	Vite	Screw	Schraube	Vis	Tornillo
22	43501400	1	Gabbia a rullini	Needle cage	Nadelkafig	Cage à aiguilles	Vaso corto ranurado
23	30064089	1	Sensore	Sensor	Capteur	Sensor	Testigo
24	30063069	1	Cavo	Cable	Leitung	Cable	Cable
25	45101212	1	Raccordo	Connection	Stutzen	Raccord	Racor
26	40040814	5	Vite	Screw	Schraube	Vis	Tornillo
27	30024028	1	Bussola	Bushing	Gewindebuechse	Douille	Casquillo

NOTE:



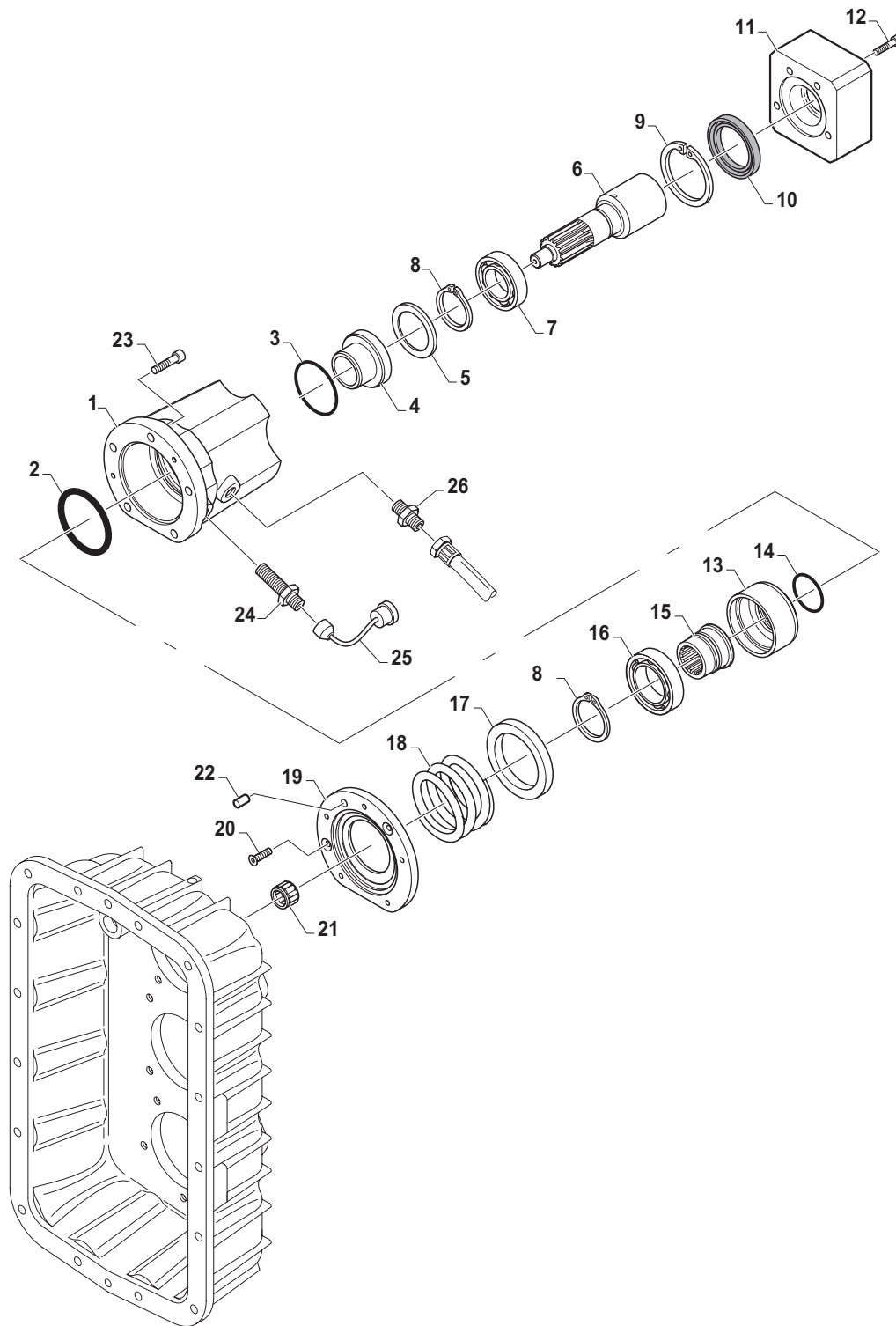
Item	Cod.	Q.tà	Denominazione	Designation	Description	Benennung	Descripción
1	30021002	1	Corpo	Corps	Body	Gehause	Cuerpo
2	44550628	1	Anello OR	Belag	O-ring gasket	Garniture	Forro
3	44530539	1	Anello OR	Belag	O-ring gasket	Garniture	Forro
4	30024004	1	Bussola	Douille	Bushing	Gewindebuechse	Casquillo
5	30024024	1	Distanziale	Entretoise	Spacer	Distanzstueck	Separador
6	30022039	1	Albero	Axe	Pin	Welle	Arbol
7	43004003	1	Cuscinetto	Roulement	Bearing	Lager	Cojinete
8	42004000	2	Anello elastico	Segments	Piston ring	Kolbenringe	Aros de embolo
9	42026800	1	Anello elastico	Segments	Piston ring	Kolbenringe	Aros de embolo
10	44015201	1	Anello di tenuta	Vite	Seal	Bague D'etancheite	Vis
11	30022041	1	Flangia	Bride	Flange	Flansch	Brida
12	40041018	4	Vite	Vis	Screw	Schraube	Tornillo
13	30023006	1	Attuatore	Actuateur	Actuator	Stellantrieb	Accionador
14	44530376	1	Anello OR	Belag	O-ring gasket	Garniture	Forro
15	30023044	1	Manicotto	Manchon	Sleeve	Manschette	Manguito
16	43004002	1	Cuscinetto	Roulement	Bearing	Lager	Cojinete
17	30024001	1	Distanziale	Entretoise	Spacer	Distanzstueck	Separador
18	30024014	1	Molla	Ressort	Spring	Feder	Resorte
19	30022005	1	Flangia	Bride	Flange	Flansch	Brida
20	40060506	2	Vite	Vis	Screw	Schraube	Tornillo
21	43501400	1	Gabbia a rullini	Cage à aiguilles	Needle cage	Nadelkafig	Vaso corto ranurado
22	30024028	1	Bussola	Douille	Bushing	Gewindebuechse	Casquillo
23	40040814	5	Vite	Vis	Screw	Schraube	Tornillo
24	30064089	1	Sensore	Sensor	Sensor	Capteur	Testigo
25	30063070	1	Cavo	Cable	Cable	Leitung	Cable
26	45101212	1	Raccordo	Raccord	Connection	Stutzen	Racor

NOTE:



Item	Cod.	Q.tà	Denominazione	Designation	Description	Benennung	Descripción
1	30021002	1	Corpo	Body	Gehause	Corps	Cuerpo
2	44530539	1	Anello OR	O-ring gasket	Garniture	Belag	Forro
3	44550628	1	Anello OR	O-ring gasket	Garniture	Belag	Forro
4	30024004	1	Bussola	Bushing	Gewindebuechse	Douille	Casquillo
5	30024024	1	Distanziale	Spacer	Distanzstueck	Entretoise	Separador
6	30022038	1	Albero	Pin	Welle	Axe	Arbol
7	43004003	1	Cuscinetto	Bearing	Lager	Roulement	Cojinete
8	42004000	1	Anello elastico	Piston ring	Kolbenringe	Segments	Aros de embolo
9	42026800	1	Anello elastico	Piston ring	Kolbenringe	Segments	Aros de embolo
10	44015201	1	Anello	Ring	Ring	Bague	Anillo
11	30023042	1	Flangia	Flange	Flansch	Bride	Brida
12	40041018	4	Vite	Screw	Schraube	Vis	Tornillo
13	30023006	1	Attuatore	Actuator	Stellantrieb	Actuateur	Accionador
14	44530376	1	Anello OR	O-ring gasket	Garniture	Belag	Forro
15	30023020	1	Manicotto	Sleeve	Manschette	Manchon	Manguito
16	43004002	1	Cuscinetto	Bearing	Lager	Roulement	Cojinete
17	30024037	1	Distanziale	Spacer	Distanzstueck	Entretoise	Separador
18	42003800	1	Anello elastico	Piston ring	Kolbenringe	Segments	Aros de embolo
19	30024001	1	Distanziale	Spacer	Distanzstueck	Entretoise	Separador
20	30024014	1	Molla	Spring	Feder	Ressort	Resorte
21	30022005	1	Flangia	Flange	Flansch	Bride	Brida
22	40060506	2	Vite	Screw	Schraube	Vis	Tornillo
23	43501400	1	Gabbia a rullini	Needle cage	Nadelkafig	Cage à aiguilles	Vaso corto ranurado
24	30024028	1	Bussola	Bushing	Gewindebuechse	Douille	Casquillo
25	40040814	5	Vite	Screw	Schraube	Vis	Tornillo
26	30064089	1	Sensore	Sensor	Capteur	Sensor	Testigo
27	30063070	1	Cavo	Cable	Leitung	Cable	Cable
28	45101212	1	Raccordo	Connection	Stutzen	Raccord	Racor

NOTE:



Item	Cod.	Q.tà	Denominazione	Designation	Description	Benennung	Descripción
1	30021002	1	Corpo	Body	Gehause	Corps	Cuerpo
2	44550628	1	Anello OR	O-ring gasket	Garniture	Belag	Forro
3	44530539	1	Anello OR	O-ring gasket	Garniture	Belag	Forro
4	30024004	1	Bussola	Bushing	Gewindebuechse	Douille	Casquillo
5	30024024	1	Distanziale	Spacer	Distanzstueck	Entretoise	Separador
6	30022038	1	Albero	Pin	Welle	Axe	Arbol
7	43004003	1	Cuscinetto	Bearing	Lager	Roulement	Cojinete
8	42004000	2	Anello elastico	Piston ring	Kolbenringe	Segments	Aros de embolo
9	42026800	1	Anello elastico	Piston ring	Kolbenringe	Segments	Aros de embolo
10	44015201	1	Anello	Ring	Ring	Bague	Anillo
11	30023042	1	Flangia	Flange	Flansch	Bride	Brida
12	40041018	4	Vite	Screw	Schraube	Vis	Tornillo
13	30023006	1	Attuatore	Actuator	Stellantrieb	Actuateur	Accionador
14	44530376	1	Anello OR	O-ring gasket	Garniture	Belag	Forro
15	30023044	1	Manicotto	Sleeve	Manschette	Manchon	Manguito
16	43004002	1	Cuscinetto	Bearing	Lager	Roulement	Cojinete
17	30024001	1	Distanziale	Spacer	Distanzstueck	Entretoise	Separador
18	30024014	1	Molla	Spring	Feder	Ressort	Resorte
19	30022005	1	Flangia	Flange	Flansch	Bride	Brida
20	40060506	2	Vite	Screw	Schraube	Vis	Tornillo
21	43501400	1	Gabbia a rullini	Needle cage	Nadelkafig	Cage à aiguilles	Vaso corto ranurado
22	30024028	1	Bussola	Bushing	Gewindebuechse	Douille	Casquillo
23	40040814	5	Vite	Screw	Schraube	Vis	Tornillo
24	30064089	1	Sensore	Sensor	Capteur	Sensor	Testigo
25	30063070	1	Cavo	Cable	Leitung	Cable	Cable
26	45101212	1	Raccordo	Connection	Stutzen	Raccord	Racor

NOTE: